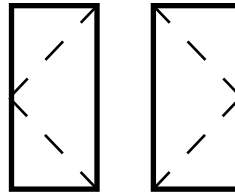




QUAKER
COMMERCIAL WINDOWS AND DOORS



E600 Series
AW-PG70
3 1/4" Frame Depth
Casement

E600 SERIES CASEMENT

The Quaker Emerge E600 Series Casement window is ideal for a variety of applications including - Energy Efficient, Institutions, Education, Apartments and Assisted Living.

FEATURES

- ◇ **Commercial Framing System**
 - 3 1/4" main frame
 - 0.094" wall thickness of interior and exterior walls, 0.078" wall thickness elsewhere
- ◇ **Thermally Enhanced Design**
 - Azon pour and debridge thermal break is 1/2" wide in all main frame and vent rail extrusions
 - Assembled with heavy duty Monticelli cast aluminum corner keys
 - Mitered and pressure sealed internally with injected silicone through corner key passages. Wrap-around marine glazing
- ◇ **Glazing**
 - 1" insulated glass
 - 3/4" insulated glass (Egress)
- ◇ **Hardware**
 - Butt hinges, 4-Bar hinges and Euro hinges available on both project-out and project-in windows
 - Heavy-commercial Truth Contour™ locking system (Crank-out only)
 - Heavy-commercial Truth Contour™ multipoint lock with push handle (no crank hardware)
 - Low profile cam handle (Push-out and Pull-in only)
 - Pole Operated handle (Push-out and Pull-in only)
 - Custodial lock (Pull-in only)
 - Custodial lock with removable handle (Push-out only)
- ◇ **Screen**
 - Wicket sreet (Push-out only)
 - Extruded aluminum screen frame with BetterVue™ mesh (Crank-out only)
- ◇ **Meets ADA Requirements (ADA Handle Required, Crank-out only)**

BENEFITS

- ◇ The capacity to match exterior colors for unique project facades
- ◇ The ability to facilitate large sizes for taller and wider window openings

OPTIONS

- ◇ **Available Configurations**
 - Project-out and Project-in casement
 - Push-out, Crank-out or Pull-in
 - Wire frame capabilities
- ◇ **Muntin Choices**
 - Internal or simulated divided lites available
- ◇ **Limited Travel Hardware**
- ◇ **Nailing Fin**
- ◇ **Screen**
 - Extruded aluminum screen frame with aluminum wire mesh
 - Extruded aluminum screen frame with sunscreen mesh
 - Extruded aluminum screen frame with stainless steel 0.009" thickness mesh
- ◇ **Glazing**
 - Capillary tubes
 - Argon gas
 - Optional glazing stop to accept 1 3/8" (triple) glazing
 - Wide variety of glazing, tinting and thickness options
- ◇ **Panning & Trim Choices**
 - Wide variety of panning, receptor and trim available
- ◇ **Mulling**
 - Wide variety of structural mulls

PERFORMANCE

- ◇ Structural & Thermal (test reports or thermal simulations available upon request)

Model	Casement (Project-Out)	Casement (Project-In)
AAMA/WDMA/CSA 101/IS.2/A440-08 Rating	AW-PG70	
Structural Load P.S.F.	105.26	
Air at 50 MPH (cfm/ft ²)	0.01	
Water (No Penetration) P.S.F.	12.11	
U-Value (with Low-E and Argon)	0.35-0.39	0.32-0.36
SHGC (with Low-E and Argon)	0.12-0.27	0.12-0.26

Window test size: 36" x 60"

Operating Force: 9 lbf (project-out casement), 14 lbf (project-in casement), 3 lbf (ADA Handle maintain motion), 3 lbf (ADA Handle lock)

Our products are tested to the standards of and certified by the American Architectural Manufacturer's Association, the National Fenestration Rating Council and the Window & Door Manufacturers Association.

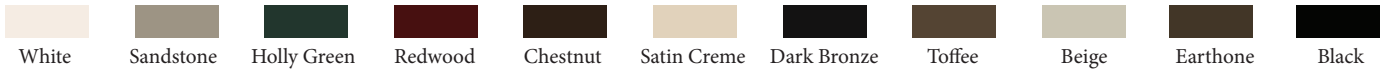


QUAKER
COMMERCIAL WINDOWS AND DOORS

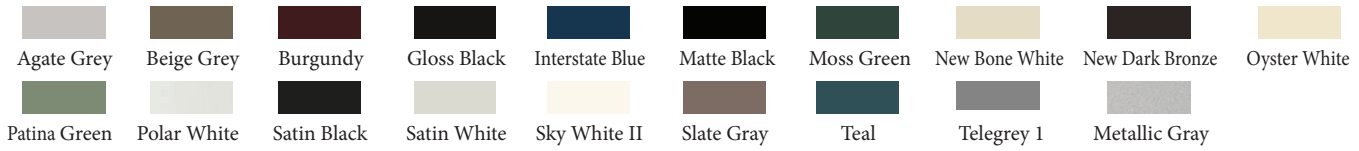
ARCHITECTURAL PAINT COATINGS AND FINISHES

◇ Baked on powder coat finish meets ANSA/AAMA 2604 specs and is available in unlimited colors

- 11 Popular Colors



- 19 Impressive Colors



- 7 Resemble Colors (painted finish resembling anodized)



- Unlimited Custom Colors

* Printed colors shown here may not accurately depict actual painted colors. Color samples are available upon request.

◇ ANSA/AAMA 2605 powder coat finishes

◇ AAMA 611-98 Class I clear and tinted anodized finishes



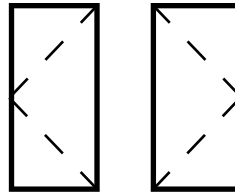
Our products are tested to the standards of and certified by the American Architectural Manufacturer's Association, the National Fenestration Rating Council and the Window & Door Manufacturers Association.



QUAKER
COMMERCIAL WINDOWS AND DOORS



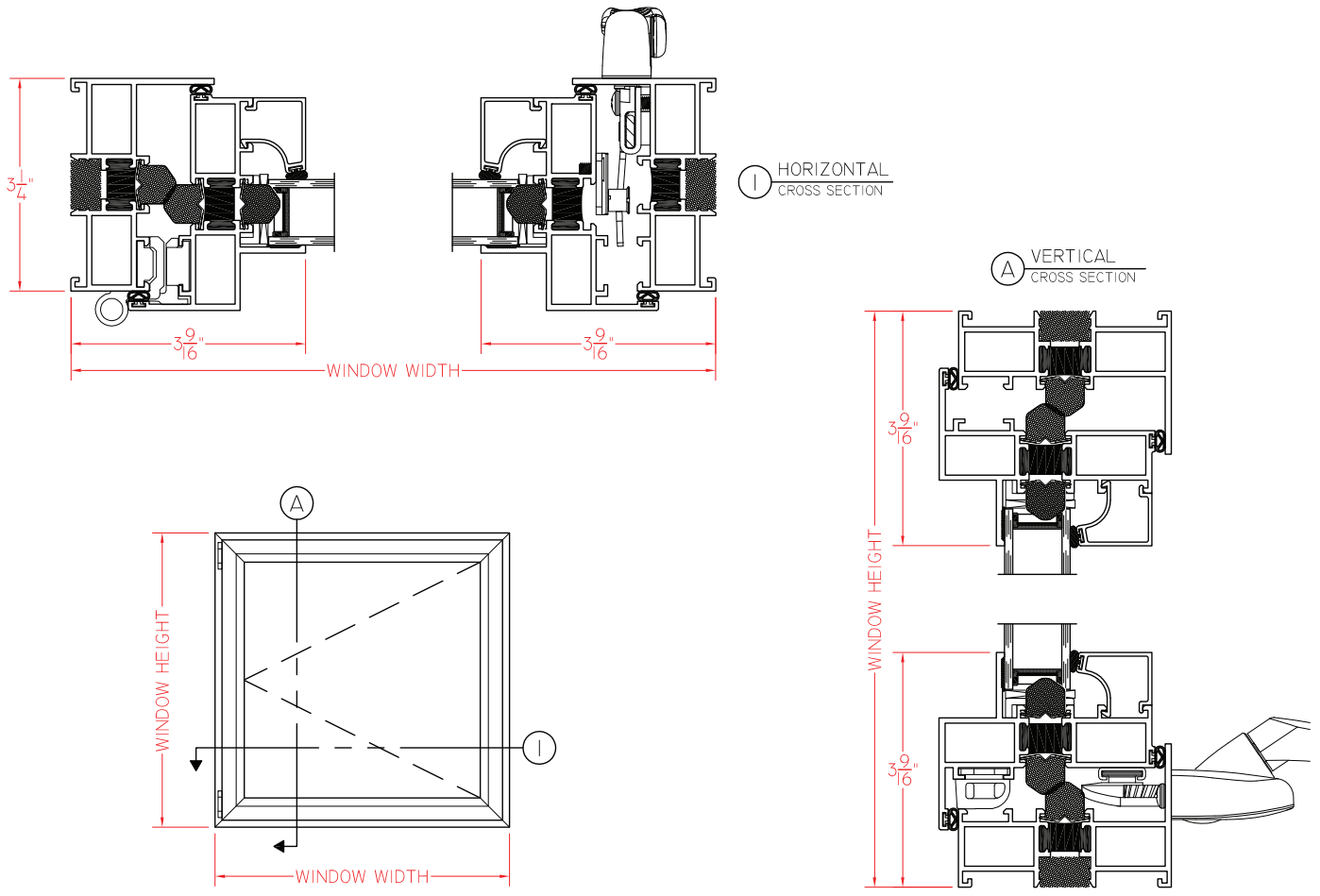
QUAKER
COMMERCIAL WINDOWS AND DOORS



E600 Series
AW-PG70
3 1/4" Frame Depth
Casement

E600 OUTSWING CA (CRANK OUT)

This document contains confidential and proprietary information intended for the private use of Quaker.
© 2016 Quaker Window Products Co., INC. All rights reserved.
Quaker reserves the right to change any/all designs without notice. Due to periodic re-certification requirements, result shown may vary.



ELEVATION SCALE 3/4" = 1'-0"

SCALE 1:2

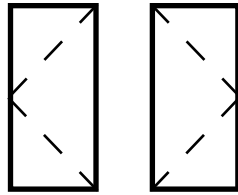
Our products are tested to the standards of and certified by the American Architectural Manufacturer's Association, the National Fenestration Rating Council and the Window & Door Manufacturers Association.



QUAKER
COMMERCIAL WINDOWS AND DOORS



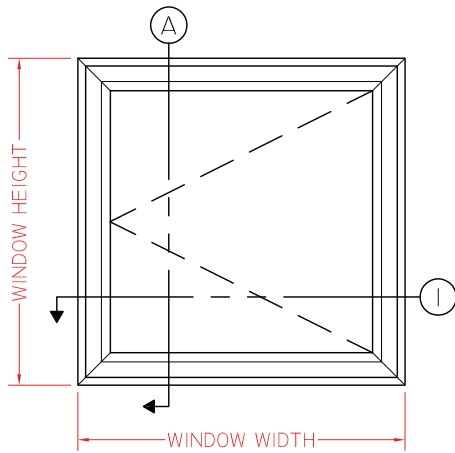
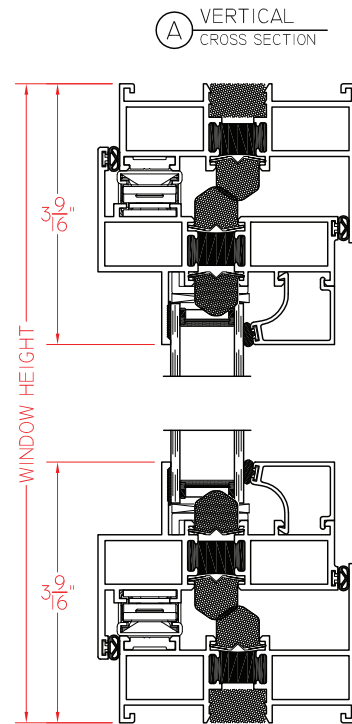
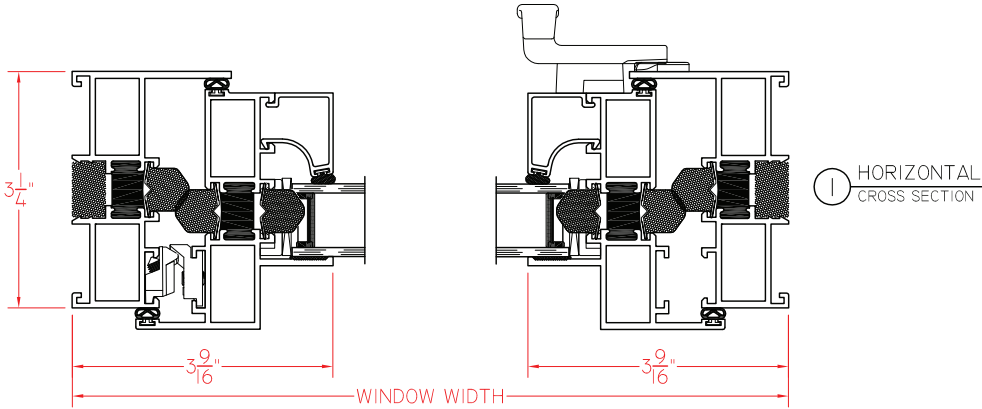
QUAKER
COMMERCIAL WINDOWS AND DOORS



E600 Series
AW-PG70
3 1/4" Frame Depth
Casement

E600 OUTSWING CA (PUSH OUT)

This document contains confidential and proprietary information intended for the private use of Quaker.
© 2016 Quaker Window Products Co., INC. All rights reserved.
Quaker reserves the right to change any/all designs without notice. Due to periodic re-certification requirements, result shown may vary.



ELEVATION SCALE 3/4" = 1'-0"

SCALE 1:2

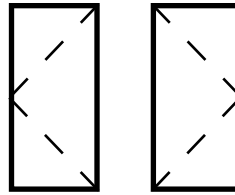
Our products are tested to the standards of and certified by the American Architectural Manufacturer's Association, the National Fenestration Rating Council and the Window & Door Manufacturers Association.



QUAKER
COMMERCIAL WINDOWS AND DOORS



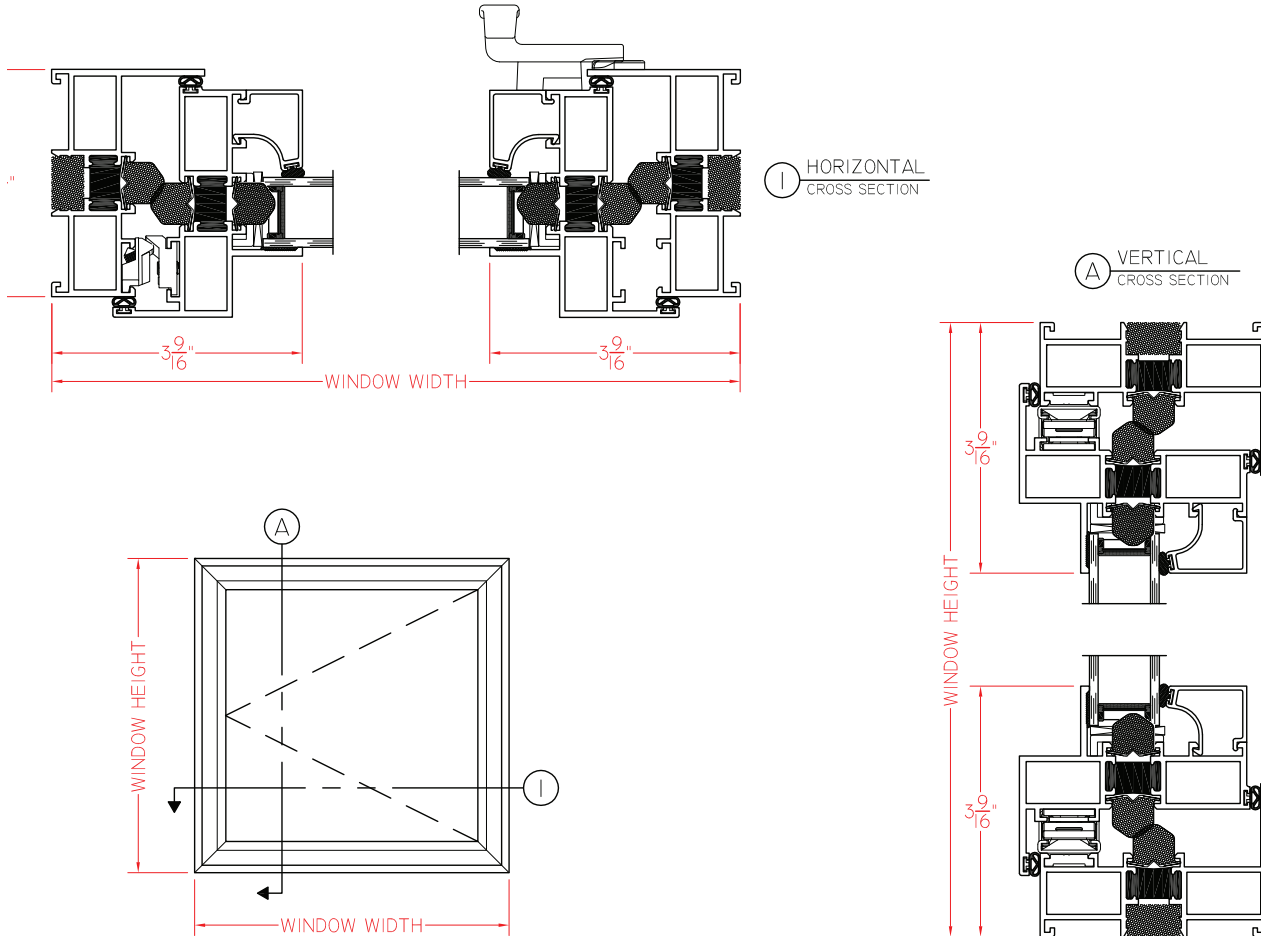
QUAKER
COMMERCIAL WINDOWS AND DOORS



E600 Series
AW-PG70
3 1/4" Frame Depth
Casement

E600 OUTSWING CA EGRESS (PUSH OUT)

This document contains confidential and proprietary information intended for the private use of Quaker.
© 2016 Quaker Window Products Co., INC. All rights reserved.
Quaker reserves the right to change any/all designs without notice. Due to periodic re-certification requirements, result shown may vary.



VISION 2

ELEVATION SCALE $3/4" = 1'-0"$

SCALE 1:2

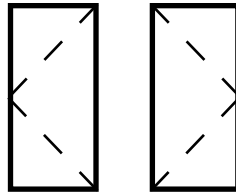
Our products are tested to the standards of and certified by the American Architectural Manufacturer's Association, the National Fenestration Rating Council and the Window & Door Manufacturers Association.



QUAKER
COMMERCIAL WINDOWS AND DOORS



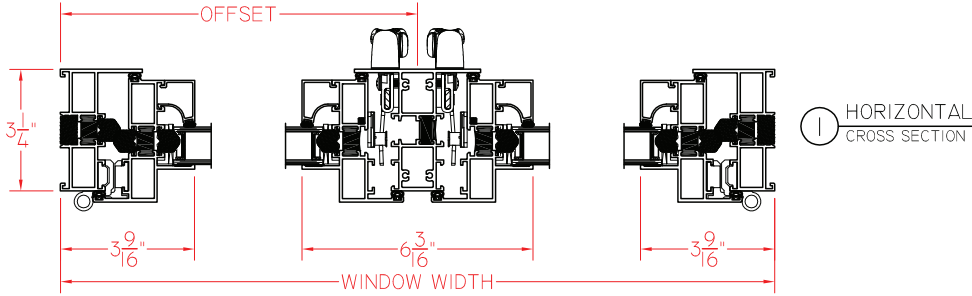
QUAKER
COMMERCIAL WINDOWS AND DOORS



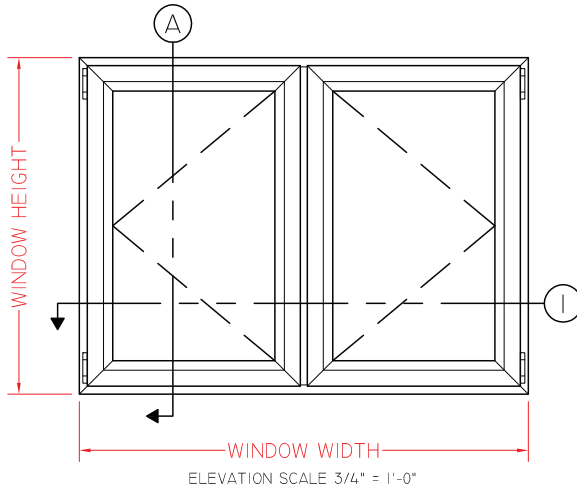
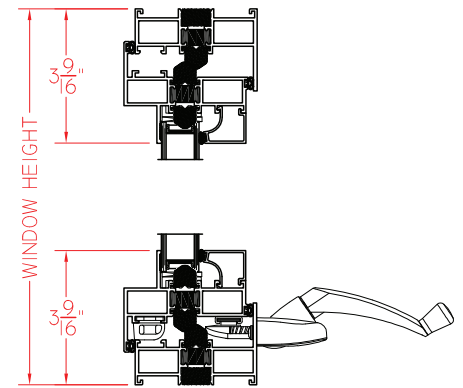
E600 Series
AW-PG70
3 1/4" Frame Depth
Casement

E600 OUTSWING CA/CA (CRANK OUT)

This document contains confidential and proprietary information intended for the private use of Quaker.
© 2016 Quaker Window Products Co., INC. All rights reserved.
Quaker reserves the right to change any/all designs without notice. Due to periodic re-certification requirements, result shown may vary.



A VERTICAL CROSS SECTION



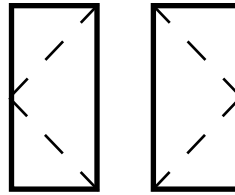
Our products are tested to the standards of and certified by the American Architectural Manufacturer's Association, the National Fenestration Rating Council and the Window & Door Manufacturers Association.



QUAKER
COMMERCIAL WINDOWS AND DOORS



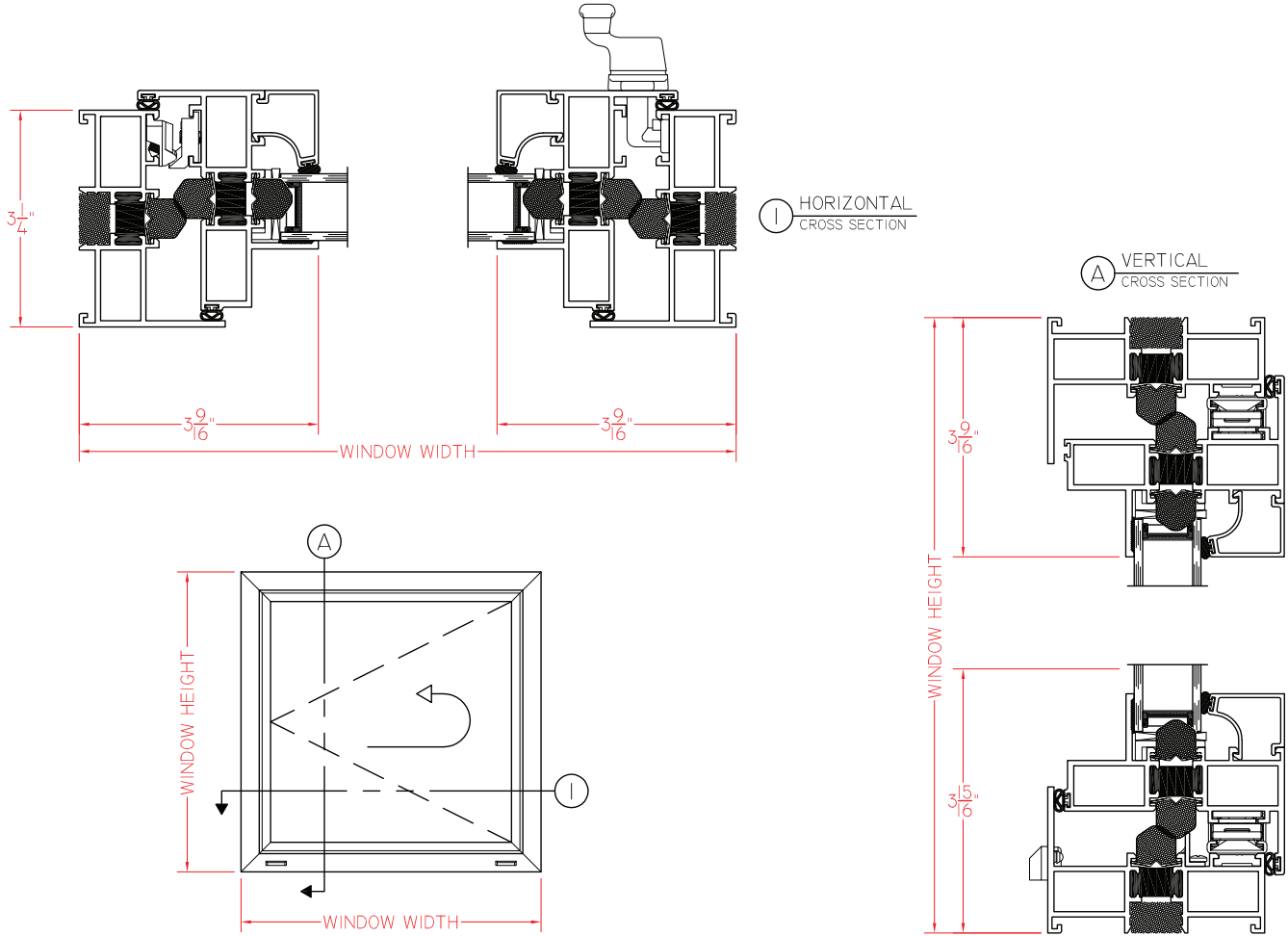
QUAKER
COMMERCIAL WINDOWS AND DOORS



E600 Series
AW-PG70
3 1/4" Frame Depth
Casement

E600 INSWING CA

This document contains confidential and proprietary information intended for the private use of Quaker.
© 2016 Quaker Window Products Co., INC. All rights reserved.
Quaker reserves the right to change any/all designs without notice. Due to periodic re-certification requirements, result shown may vary.



ELEVATION SCALE 3/4" = 1'-0"

SCALE 1:2

Our products are tested to the standards of and certified by the American Architectural Manufacturer's Association, the National Fenestration Rating Council and the Window & Door Manufacturers Association.



QUAKER
COMMERCIAL WINDOWS AND DOORS