



**QUAKER**  
COMMERCIAL WINDOWS AND DOORS



**E600 Series**  
**AW-PG50/AW-PG80**  
**3 1/4" Frame Depth**  
**Picture Window (Fixed)**

## E600 SERIES PICTURE WINDOW (FIXED)

The Quaker Emerge E600 Series Picture window is ideal for a variety of applications including - Energy Efficient, Institutions, Education, Apartments and Assisted Living.

### FEATURES

- ◇ **Commercial Framing System**
  - 3 1/4" main frame
  - Sealable corner keys
  - Screw connections
  - 0.094" wall thickness of interior and exterior walls, 0.070" wall thickness elsewhere
- ◇ **Enhanced Design**
  - Azon pour and debridge thermal break is 1/2" wide in all main frame and vent rail extrusions
  - Clean squared edges
  - 2" narrow sitelines
- ◇ **Glazing**
  - 1" insulated glass

### OPTIONS

- ◇ **Available Configurations**
  - Wire frame capabilities
- ◇ **Muntin Choices**
  - Internal or simulated divided lites available
- ◇ **Nailing Fin**
- ◇ **Glazing**
  - Capillary tubes
  - Argon gas
  - Wide variety of glazing, tinting and thickness options
- ◇ **Panning & Trim Choices**
  - Wide variety of panning, receptor and trim available
- ◇ **Mulling**
  - Wide variety of structural mulls

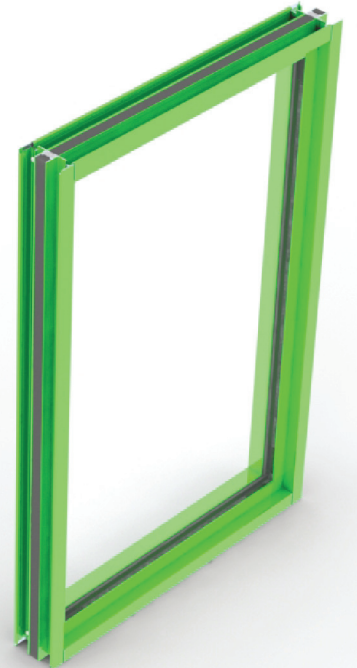
### BENEFITS

- ◇ The capacity to match exterior colors for unique project facades
- ◇ The ability to facilitate large sizes for taller and wider window openings

### PERFORMANCE

- ◇ Structural & Thermal (test reports or thermal simulations available upon request)

Model	Picture Window (Fixed)	
AAMA/WDMA/CSA 101/IS.2/A440-08 Rating	AW-PG50	AW-PG80
Structural Load P.S.F.	75.19	120.30
Air at 50 MPH (cfm/ft <sup>2</sup> )	0.01	-
Water (No Penetration) P.S.F.	12.11	-
U-Value (with Low-E and Argon)	0.25-0.31	
SHGC (with Low-E and Argon)	0.15-0.36	
Window Test Size	60" x 99"	60" x 60"



Our products are tested to the standards of and certified by the American Architectural Manufacturer's Association, the National Fenestration Rating Council and the Window & Door Manufacturers Association.

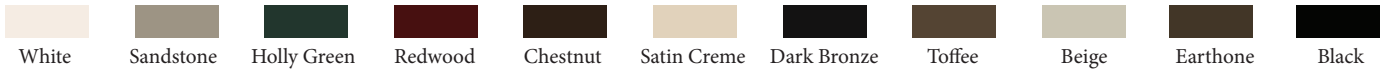


**QUAKER**  
COMMERCIAL WINDOWS AND DOORS

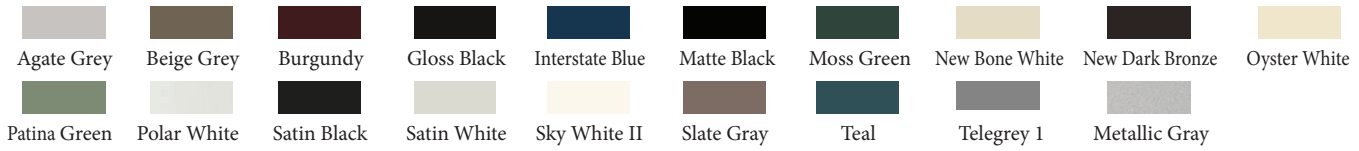
# ARCHITECTURAL PAINT COATINGS AND FINISHES

◇ Baked on powder coat finish meets ANSA/AAMA 2604 specs and is available in unlimited colors

- 11 Popular Colors



- 19 Impressive Colors



- 7 Resemble Colors (painted finish resembling anodized)



- Unlimited Custom Colors

\* Printed colors shown here may not accurately depict actual painted colors. Color samples are available upon request.

◇ ANSA/AAMA 2605 powder coat finishes

◇ AAMA 611-98 Class I clear and tinted anodized finishes

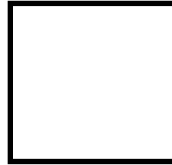
Our products are tested to the standards of and certified by the American Architectural Manufacturer's Association, the National Fenestration Rating Council and the Window & Door Manufacturers Association.



**QUAKER**  
COMMERCIAL WINDOWS AND DOORS



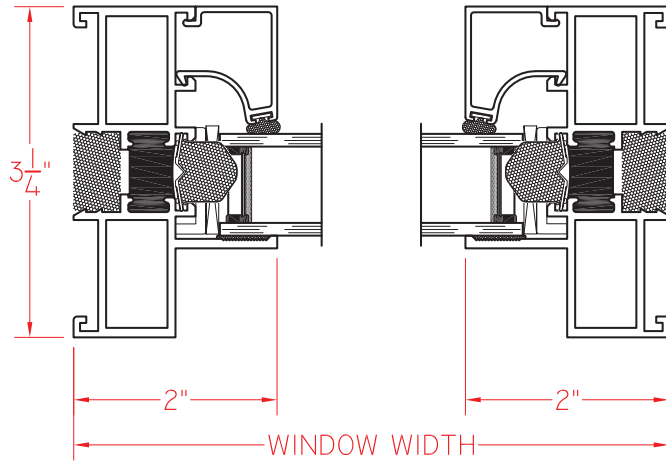
**QUAKER**  
COMMERCIAL WINDOWS AND DOORS



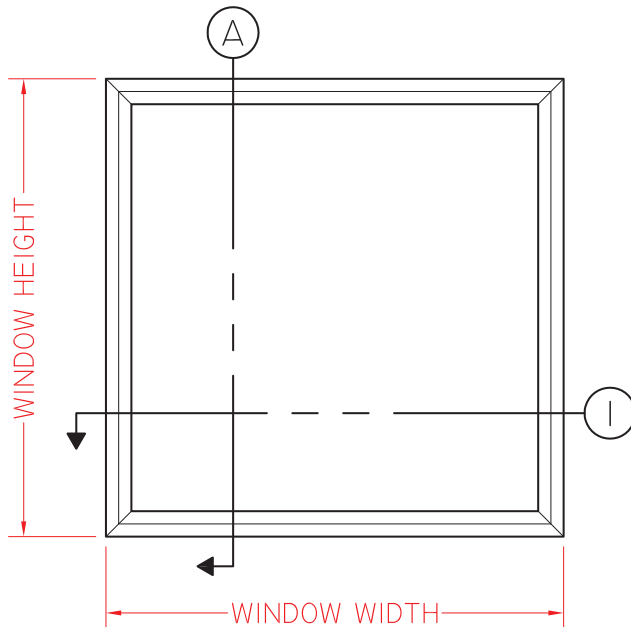
**E600 Series  
AW-PG50/AW-PG80  
3 1/4" Frame Depth  
Picture Window (Fixed)**

**E600 FIXED**

This document contains confidential and proprietary information intended for the private use of Quaker.  
© 2016 Quaker Window Products Co., INC. All rights reserved.  
Quaker reserves the right to change any/all designs without notice. Due to periodic re-certification requirements, result shown may vary.

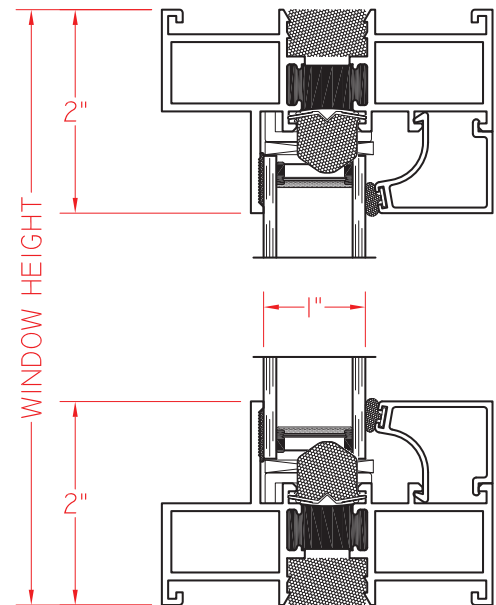


① HORIZONTAL CROSS SECTION



ELEVATION SCALE 3/4" = 1'-0"

Ⓐ VERTICAL CROSS SECTION



SCALE 1:2

Our products are tested to the standards of and certified by the American Architectural Manufacturer's Association, the National Fenestration Rating Council and the Window & Door Manufacturers Association.



**QUAKER**  
COMMERCIAL WINDOWS AND DOORS



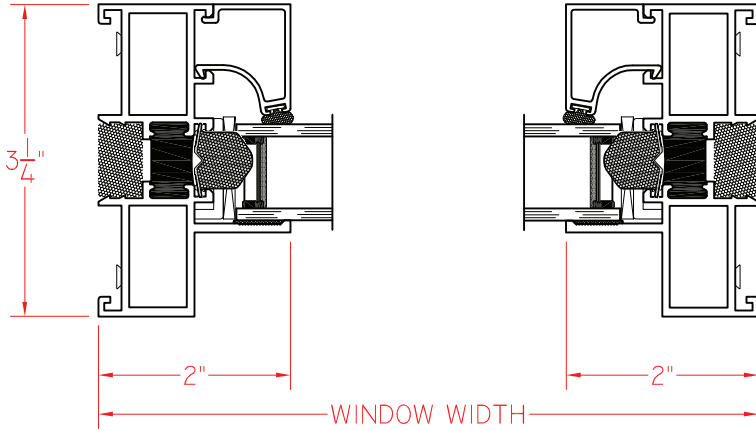
**QUAKER**  
COMMERCIAL WINDOWS AND DOORS



**E600 Series  
AW-PG50/AW-PG80  
3 1/4" Frame Depth  
Picture Window (Fixed)**

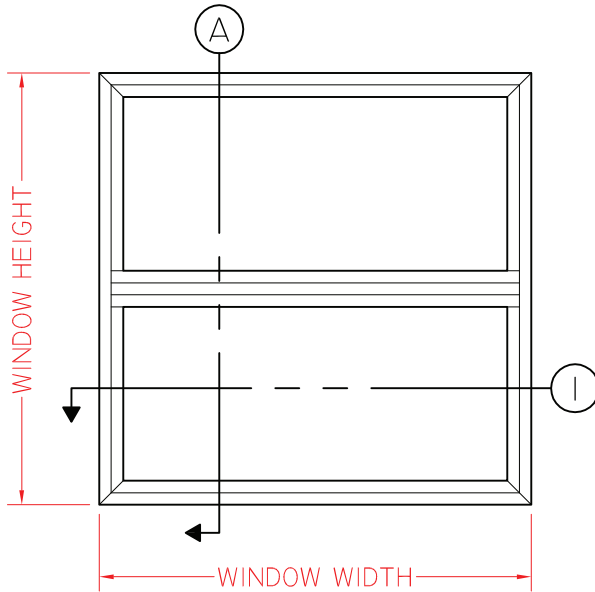
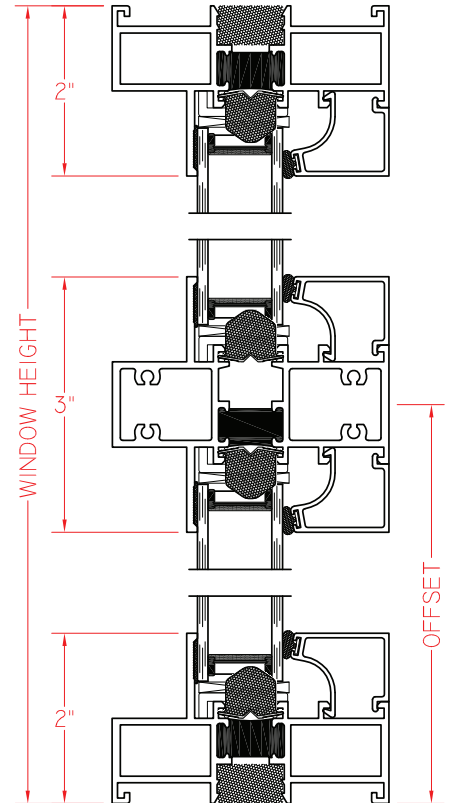
**E600 FIXED/FIXED**

This document contains confidential and proprietary information intended for the private use of Quaker.  
© 2016 Quaker Window Products Co., INC. All rights reserved.  
Quaker reserves the right to change any/all designs without notice. Due to periodic re-certification requirements, result shown may vary.



① HORIZONTAL CROSS SECTION

Ⓐ VERTICAL CROSS SECTION



ELEVATION SCALE 3/4" = 1'-0"

SCALE 1:2

Our products are tested to the standards of and certified by the American Architectural Manufacturer's Association, the National Fenestration Rating Council and the Window & Door Manufacturers Association.



**QUAKER**  
COMMERCIAL WINDOWS AND DOORS



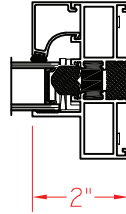
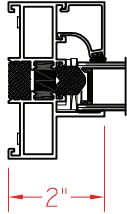
**QUAKER**  
COMMERCIAL WINDOWS AND DOORS



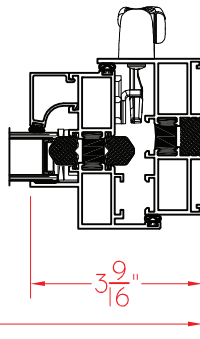
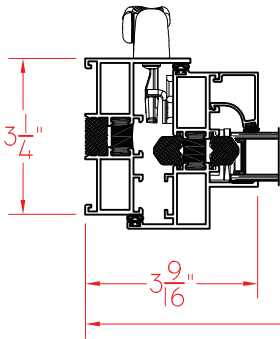
**E600 Series  
AW-PG50/AW-PG80  
3 1/4" Frame Depth  
Picture Window (Fixed)**

**E600 FIXED/AWN**

This document contains confidential and proprietary information intended for the private use of Quaker.  
© 2016 Quaker Window Products Co., INC. All rights reserved.  
Quaker reserves the right to change any/all designs without notice. Due to periodic re-certification requirements, result shown may vary.



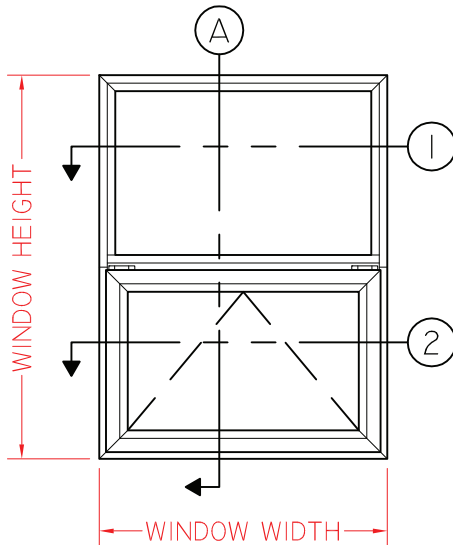
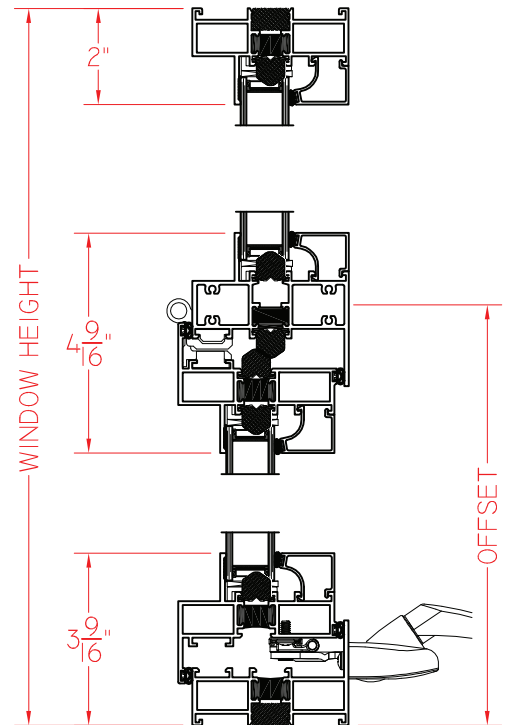
① HORIZONTAL  
CROSS SECTION



② HORIZONTAL  
CROSS SECTION

WINDOW WIDTH

Ⓐ VERTICAL  
CROSS SECTION



ELEVATION SCALE 1/2" = 1'-0"

SCALE 1:4

Our products are tested to the standards of and certified by the American Architectural Manufacturer's Association, the National Fenestration Rating Council and the Window & Door Manufacturers Association.



**QUAKER**  
COMMERCIAL WINDOWS AND DOORS



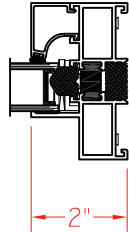
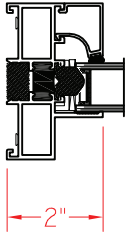
**QUAKER**  
COMMERCIAL WINDOWS AND DOORS



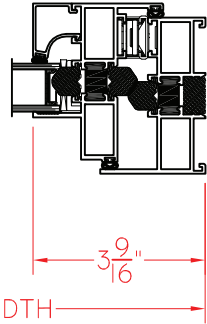
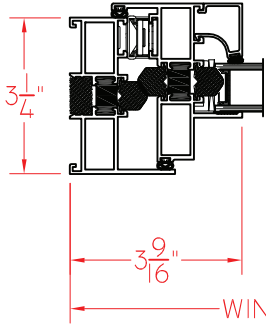
**E600 Series**  
**AW-PG50/AW-PG80**  
**3 1/4" Frame Depth**  
**Picture Window (Fixed)**

**E600 FIXED/HOP**

This document contains confidential and proprietary information intended for the private use of Quaker.  
© 2016 Quaker Window Products Co., INC. All rights reserved.  
Quaker reserves the right to change any/all designs without notice. Due to periodic re-certification requirements, result shown may vary.

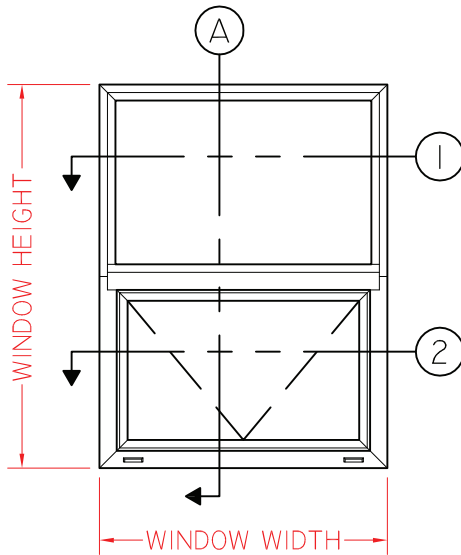
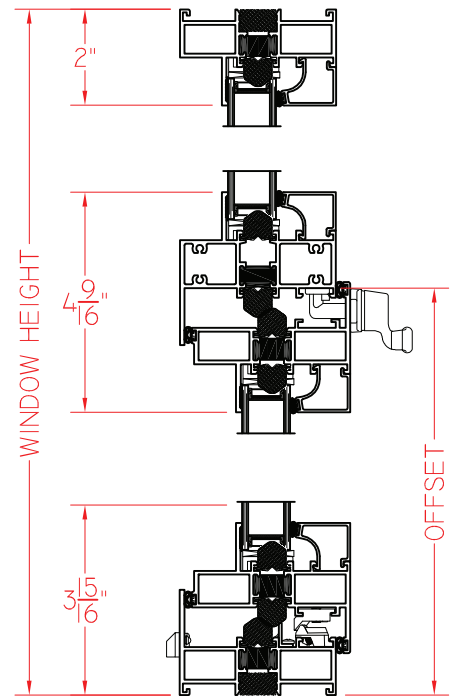


① HORIZONTAL CROSS SECTION



② HORIZONTAL CROSS SECTION

Ⓐ VERTICAL CROSS SECTION



ELEVATION SCALE 1/2" = 1'-0"

SCALE 1:4

Our products are tested to the standards of and certified by the American Architectural Manufacturer's Association, the National Fenestration Rating Council and the Window & Door Manufacturers Association.



**QUAKER**  
COMMERCIAL WINDOWS AND DOORS