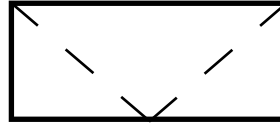




QUAKER
COMMERCIAL WINDOWS AND DOORS



E600 Series

AW-PG70

**3 1/4" Frame Depth
Hopper (Project-in)**

E600 SERIES HOPPER (PROJECT-IN)

The Quaker Emerge E600 Series Hopper window is ideal for a variety of applications including - Energy Efficient, Institutions, Education, Apartments and Assisted Living.

FEATURES

- ◇ **Commercial Framing System**
 - 3 1/4" main frame
 - 0.094" wall thickness of interior and exterior walls, 0.078" wall thickness elsewhere
- ◇ **Thermally Enhanced Design**
 - Azon pour and debridge thermal break is 1/2" wide in all main frame and vent rail extrusions
 - Assembled with heavy duty Monticelli cast aluminum corner keys
 - Mitered and pressure sealed internally with injected silicone through corner key passages. Wrap-around marine glazing
- ◇ **Glazing**
 - 1" insulated glass
- ◇ **Hardware**
 - Butt hinges or 4-Bar hinges
 - Low profile cam handle
 - Pole Operated handle
 - Custodial lock
- ◇ **Screen**
 - Extruded aluminum screen frame with BetterVue™ mesh

OPTIONS

- ◇ **Available Configurations**
 - Project-in hopper
- ◇ **Muntin Choices**
 - Internal or simulated divided lites available
- ◇ **Limited travel hardware**
- ◇ **Nailing Fin**
- ◇ **Screen**
 - Extruded aluminum screen frame with aluminum wire mesh
 - Extruded aluminum screen frame with sunscreen mesh
 - Extruded aluminum screen frame with stainless steel 0.009" thickness mesh
- ◇ **Glazing**
 - Capillary tubes
 - Argon gas
 - Optional glazing stop to accept 1 3/8" (triple) glazing
 - Wide variety of glazing, tinting and thickness options
- ◇ **Panning & Trim Choices**
 - Wide variety of panning, receptor and trim available
- ◇ **Mulling**
 - Wide variety of structural mulls

BENEFITS

- ◇ The capacity to match exterior colors for unique project facades
- ◇ The ability to facilitate large sizes for taller and wider window openings

PERFORMANCE

- ◇ Structural & Thermal (test reports or thermal simulations available upon request)

Model	Hopper (Project-in)
AAMA/WDMA/CSA 101/I.S.2/A440-08 Rating	AW-PG70
Structural Load P.S.F.	105.26
Air at 50 MPH (cfm/ft ²)	0.03
Water (No Penetration) P.S.F.	12.11
U-Value (with Low-E and Argon)	0.32-0.36
SHGC (with Low-E and Argon)	0.12-0.26



Window test size: 60" x 36"
Operating Force: 12 lbf (maintain motion), 9 lbf (latches)

Our products are tested to the standards of and certified by the American Architectural Manufacturer's Association, the National Fenestration Rating Council and the Window & Door Manufacturers Association.

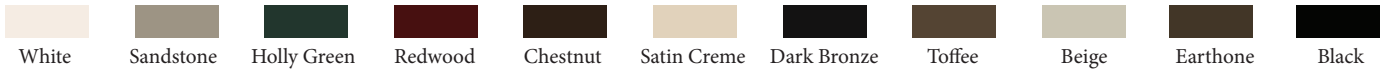


QUAKER
COMMERCIAL WINDOWS AND DOORS

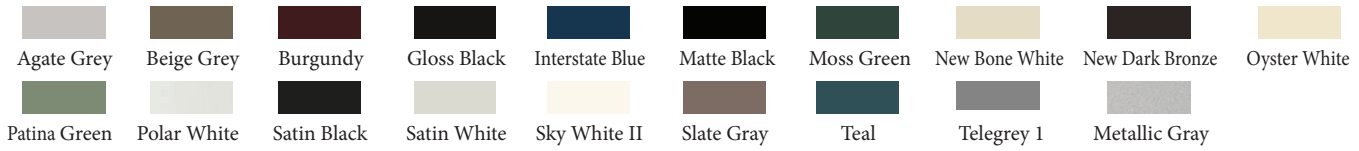
ARCHITECTURAL PAINT COATINGS AND FINISHES

◇ Baked on powder coat finish meets ANSA/AAMA 2604 specs and is available in unlimited colors

- 11 Popular Colors



- 19 Impressive Colors



- 7 Resemble Colors (painted finish resembling anodized)



- Unlimited Custom Colors

* Printed colors shown here may not accurately depict actual painted colors. Color samples are available upon request.

◇ ANSA/AAMA 2605 powder coat finishes

◇ AAMA 611-98 Class I clear and tinted anodized finishes

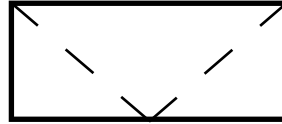
Our products are tested to the standards of and certified by the American Architectural Manufacturer's Association, the National Fenestration Rating Council and the Window & Door Manufacturers Association.



QUAKER
COMMERCIAL WINDOWS AND DOORS



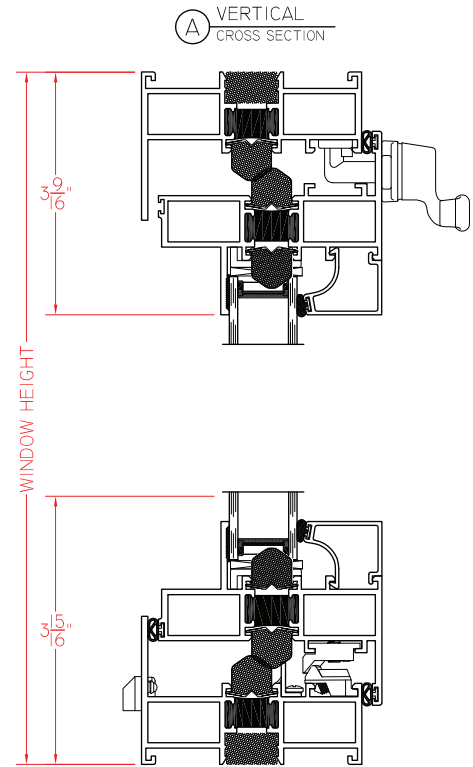
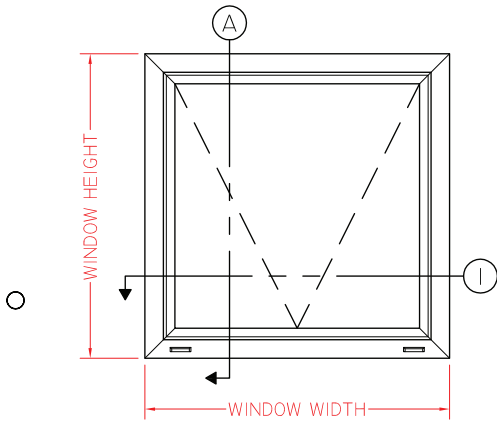
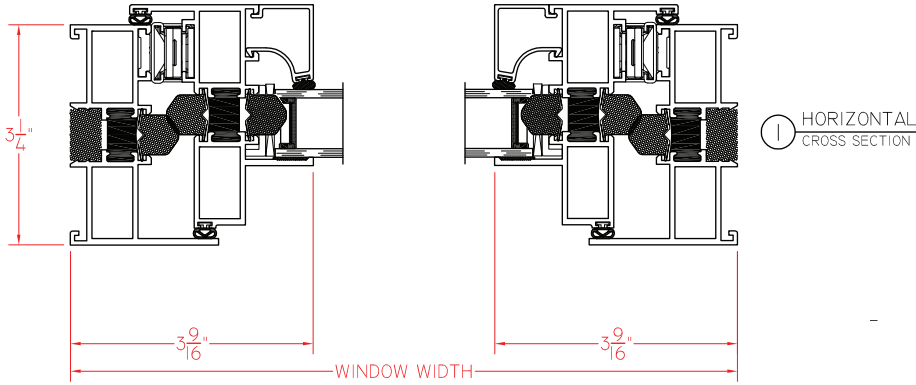
QUAKER
COMMERCIAL WINDOWS AND DOORS



**E600 Series
AW-PG70
3 1/4" Frame Depth
Hopper (Project-in)**

E600 HOP

This document contains confidential and proprietary information intended for the private use of Quaker.
© 2016 Quaker Window Products Co., INC. All rights reserved.
Quaker reserves the right to change any/all designs without notice. Due to periodic re-certification requirements, result shown may vary.



01.11.2016 VERSION 2

ELEVATION SCALE 3/4" =

SCALE 1:2

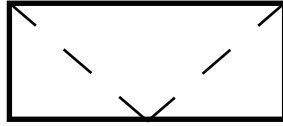
Our products are tested to the standards of and certified by the American Architectural Manufacturer's Association, the National Fenestration Rating Council and the Window & Door Manufacturers Association.



QUAKER
COMMERCIAL WINDOWS AND DOORS



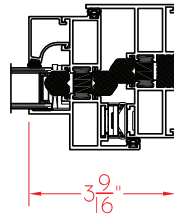
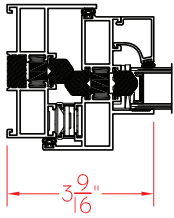
QUAKER
COMMERCIAL WINDOWS AND DOORS



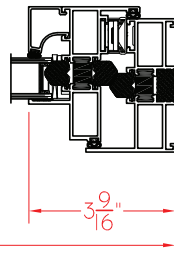
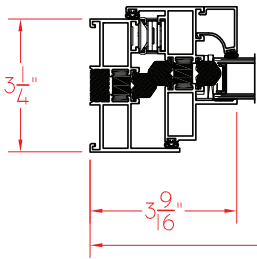
**E600 Series
AW-PG70
3 1/4" Frame Depth
Hopper (Project-in)**

E600 Awn/HOP

This document contains confidential and proprietary information intended for the private use of Quaker.
© 2016 Quaker Window Products Co., INC. All rights reserved.
Quaker reserves the right to change any/all designs without notice. Due to periodic re-certification requirements, result shown may vary.



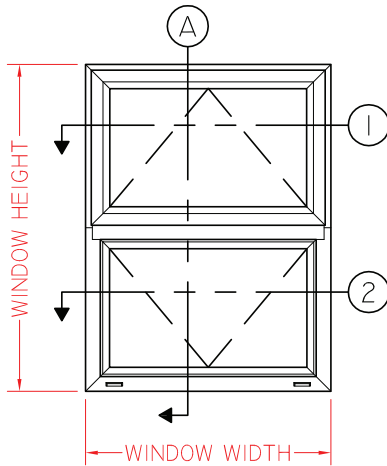
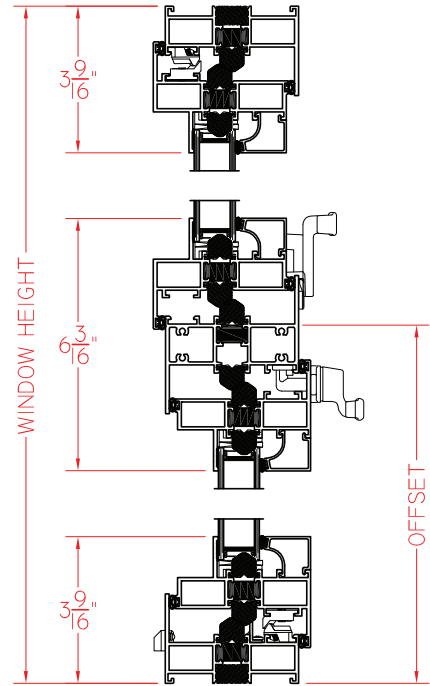
① HORIZONTAL CROSS SECTION



② HORIZONTAL CROSS SECTION

WINDOW WIDTH

Ⓐ VERTICAL CROSS SECTION



ELEVATION SCALE 1/2" = 1'-0"

01.12.2016 VERSION 2

SCALE 1:4

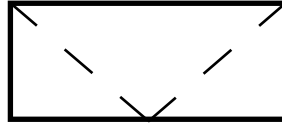
Our products are tested to the standards of and certified by the American Architectural Manufacturer's Association, the National Fenestration Rating Council and the Window & Door Manufacturers Association.



QUAKER
COMMERCIAL WINDOWS AND DOORS



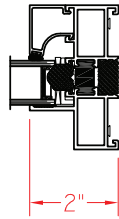
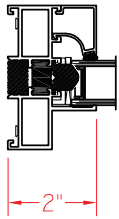
QUAKER
COMMERCIAL WINDOWS AND DOORS



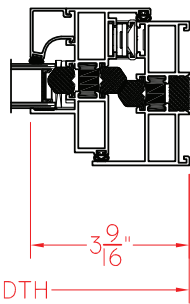
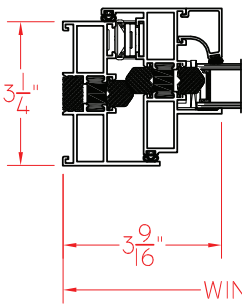
**E600 Series
AW-PG70
3 1/4" Frame Depth
Hopper (Project-in)**

E600 FIXED/HOP

This document contains confidential and proprietary information intended for the private use of Quaker.
© 2016 Quaker Window Products Co., INC. All rights reserved.
Quaker reserves the right to change any/all designs without notice. Due to periodic re-certification requirements, result shown may vary.



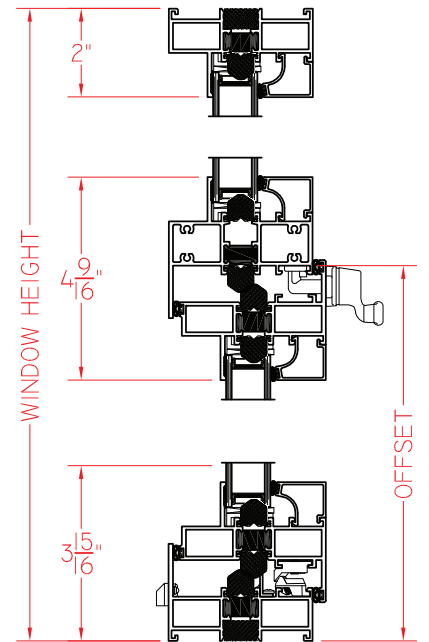
① HORIZONTAL CROSS SECTION



② HORIZONTAL CROSS SECTION

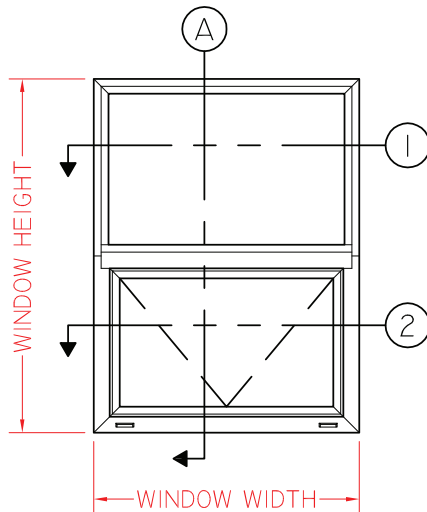
WINDOW WIDTH

Ⓐ VERTICAL CROSS SECTION



WINDOW HEIGHT

OFFSET



ELEVATION SCALE 1/2" = 1'-0"

12.2016 VERSION 2

SCALE 1:4

Our products are tested to the standards of and certified by the American Architectural Manufacturer's Association, the National Fenestration Rating Council and the Window & Door Manufacturers Association.



QUAKER
COMMERCIAL WINDOWS AND DOORS