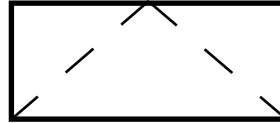




QUAKER
COMMERCIAL WINDOWS AND DOORS



H600 Series
AW-PG50
3 1/4" Frame Depth
Awning (Project-Out)

H600 SERIES AWNING (PROJECT-OUT)

The Quaker Historical H600 Series Awning window is ideal for a variety of applications including - Historical, Landmarks, Institutions, Education, Apartments and Assisted Living.

FEATURES

- ◇ **Commercial Framing System**
 - 3 1/4" main frame
 - 0.125" wall thickness of interior and exterior walls, 0.094" wall thickness elsewhere
- ◇ **Thermally Enhanced Design**
 - Azon pour and debridge thermal break is 1/2" wide in all main frame and vent rail extrusions
- ◇ **Glazing**
 - 1" insulated glass
- ◇ **Hardware**
 - Heavy-commercial Truth Contour™ locking system (Crank-out only)
 - Low profile cam handle (Push-out only)
 - Crank-out available (4-Bar hinges or butt hinges)
 - Push-out available (4-Bar hinges)
- ◇ **Screen**
 - Wicket screen (Push-out only)
 - Standard screens (Crank-out only)
- ◇ **Meets ADA Requirements (ADA Handle Required, Crank-out only)**

OPTIONS

- ◇ **Available Configurations**
 - Project-out awning
 - Push-out or Crank-out
 - Wire frame capabilities
- ◇ **Muntin Choices**
 - Internal or simulated divided lites available
- ◇ **Limited travel hardware**
- ◇ **Nailing Fin**
- ◇ **Glazing**
 - Capillary tubes
 - Argon gas
 - Wide variety of glazing, tinting and thickness options
- ◇ **Panning & Trim Choices**
 - Wide variety of panning, receptor and trim available
- ◇ **Mulling**
 - Wide variety of structural mulls

BENEFITS

- ◇ The capacity to match exterior colors for unique project facades
- ◇ The ability to facilitate large sizes for taller and wider window openings
- ◇ Historically accurate panning and trim styles to help your project meet Historic Preservation codes

PERFORMANCE

- ◇ Structural & Thermal (test reports or thermal simulations available upon request)

Model	Awning (Project-Out)
AAMA/WDMA/CSA 101/I.S.2/A440-08 Rating	AW-PG50
Structural Load P.S.F.	75.19
Air at 50 MPH (cfm/ft ²)	0.05
Water (No Penetration) P.S.F.	10.03
U-Value (with Low-E and Argon)	0.36 - 0.40
SHGC (with Low-E and Argon)	0.14 - 0.31

Window test size: 60" x 36"

Operating Force: 6 lbf (maintain motion), 6 lbf (latches)
3 lbf (ADA Handle maintain motion), 3 lbf (ADA Handle latches)



Our products are tested to the standards of and certified by the American Architectural Manufacturer's Association, the National Fenestration Rating Council and the Window & Door Manufacturers Association.



QUAKER
COMMERCIAL WINDOWS AND DOORS

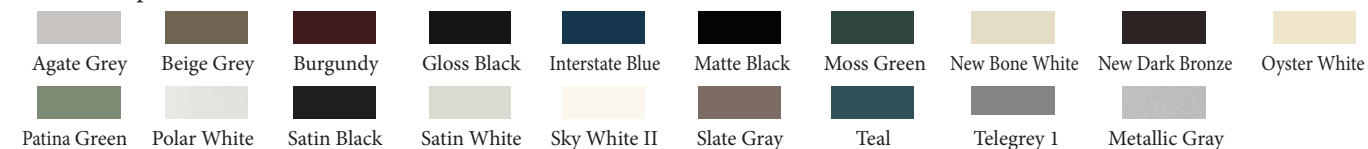
ARCHITECTURAL PAINT COATINGS AND FINISHES

◇ Baked on powder coat finish meets ANSA/AAMA 2604 specs and is available in unlimited colors

- 11 Popular Colors



- 19 Impressive Colors



- 7 Resemble Colors (painted finish resembling anodized)



- Unlimited Custom Colors

* Printed colors shown here may not accurately depict actual painted colors. Color samples are available upon request.

◇ ANSA/AAMA 2605 powder coat finishes

◇ AAMA 611-98 Class I clear and tinted anodized finishes

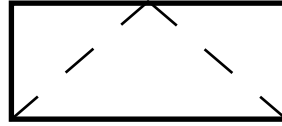
Our products are tested to the standards of and certified by the American Architectural Manufacturer's Association, the National Fenestration Rating Council and the Window & Door Manufacturers Association.



QUAKER
COMMERCIAL WINDOWS AND DOORS



QUAKER
COMMERCIAL WINDOWS AND DOORS

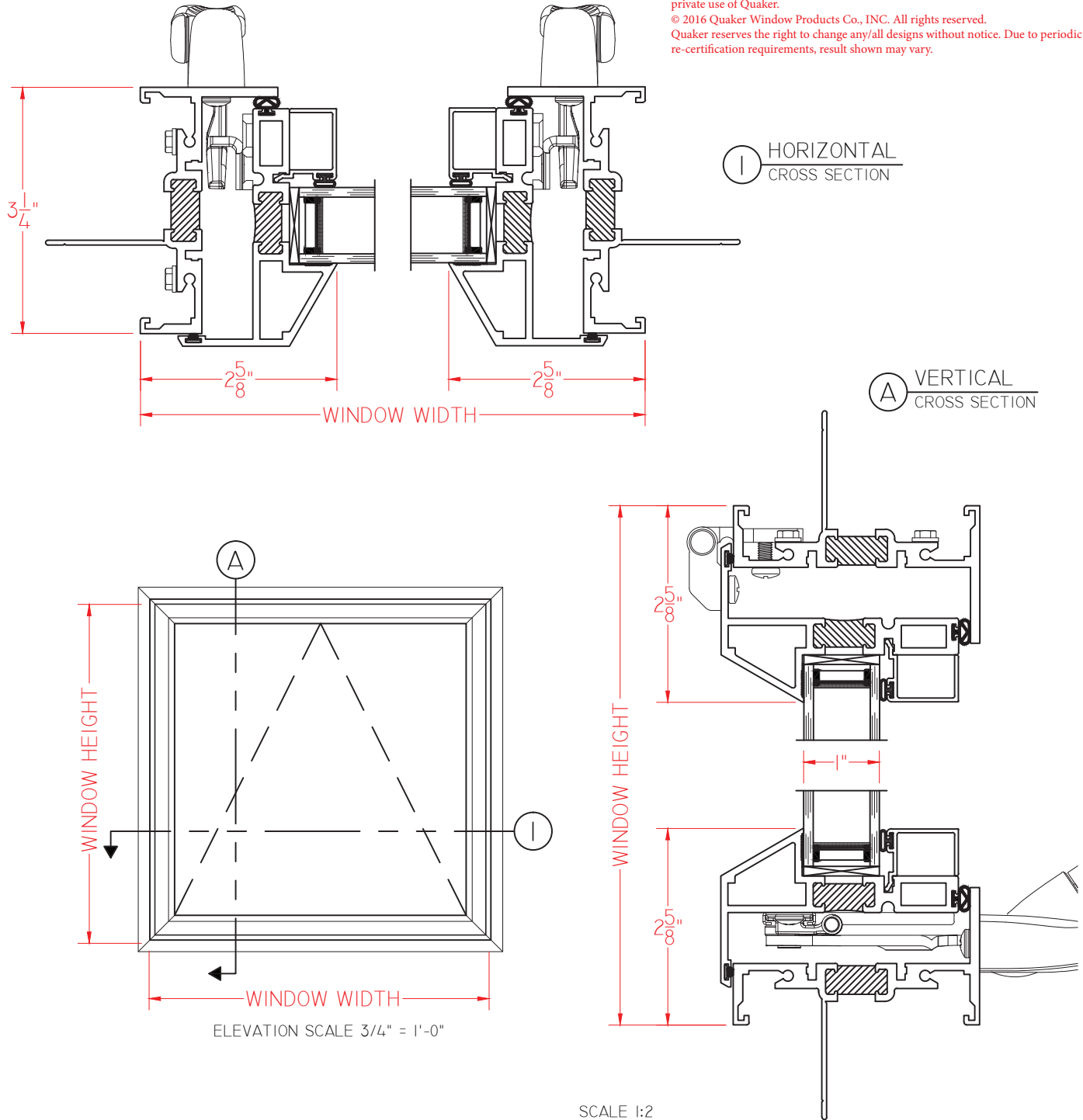


Historical
SERIES

**H600 Series
AW-PG50
3 1/4" Frame Depth
Awning (Project-Out)**

H600 AWN WITH NAILING FIN (CRANK OUT)

This document contains confidential and proprietary information intended for the private use of Quaker.
© 2016 Quaker Window Products Co., INC. All rights reserved.
Quaker reserves the right to change any/all designs without notice. Due to periodic re-certification requirements, result shown may vary.



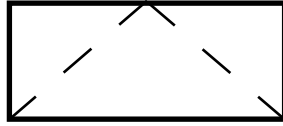
Our products are tested to the standards of and certified by the American Architectural Manufacturer's Association, the National Fenestration Rating Council and the Window & Door Manufacturers Association.



QUAKER
COMMERCIAL WINDOWS AND DOORS



QUAKER
COMMERCIAL WINDOWS AND DOORS



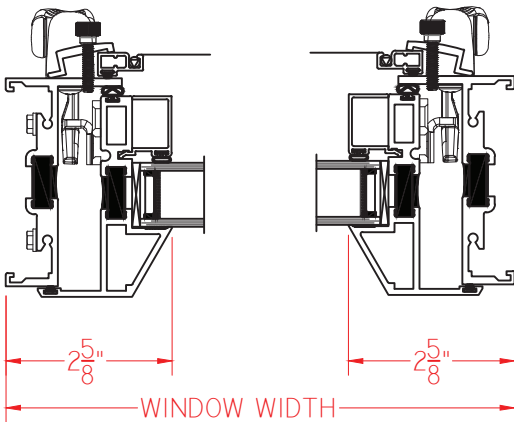
H600 Series
AW-PG50
3 1/4" Frame Depth
Awning (Project-Out)

H600 AWN WITHOUT NAILING FIN (CRANK OUT)

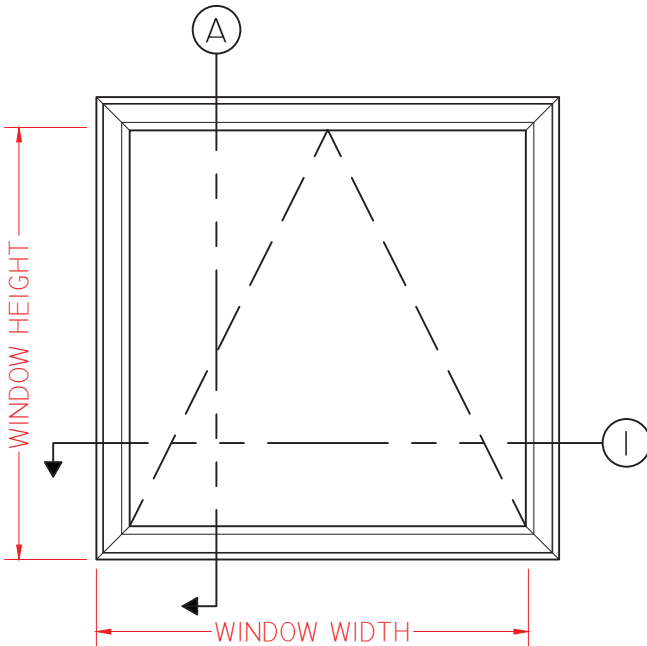
This document contains confidential and proprietary information intended for the private use of Quaker.

© 2016 Quaker Window Products Co., INC. All rights reserved.

Quaker reserves the right to change any/all designs without notice. Due to periodic re-certification requirements, result shown may vary.

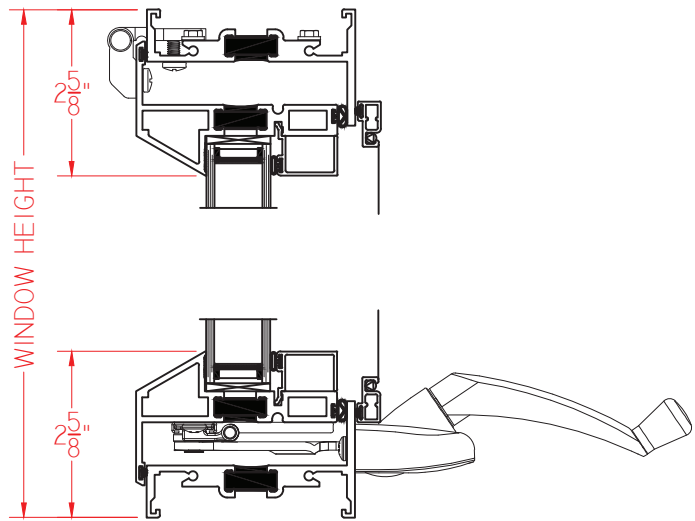


① HORIZONTAL
CROSS SECTION



ELEVATION SCALE 3/4" = 1'-0"

① VERTICAL
CROSS SECTION



SCALE 1:3

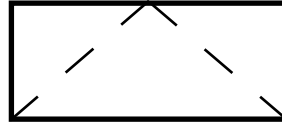
Our products are tested to the standards of and certified by the American Architectural Manufacturer's Association, the National Fenestration Rating Council and the Window & Door Manufacturers Association.



QUAKER
COMMERCIAL WINDOWS AND DOORS



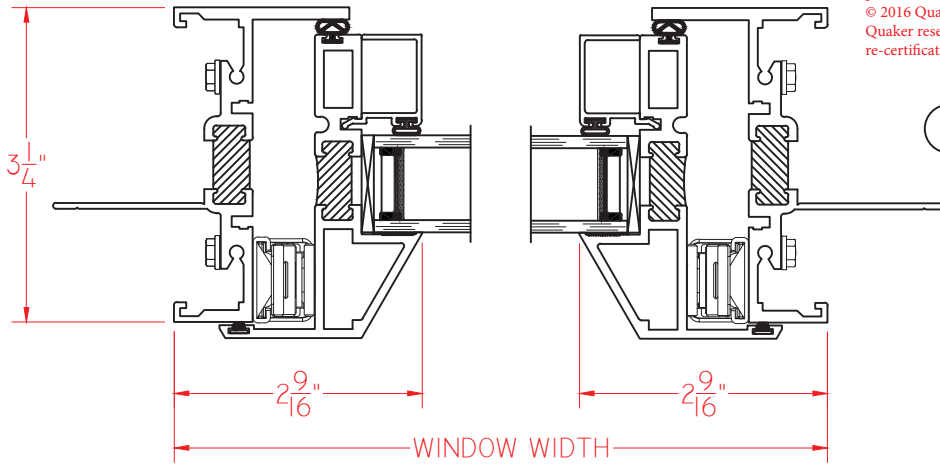
QUAKER
COMMERCIAL WINDOWS AND DOORS



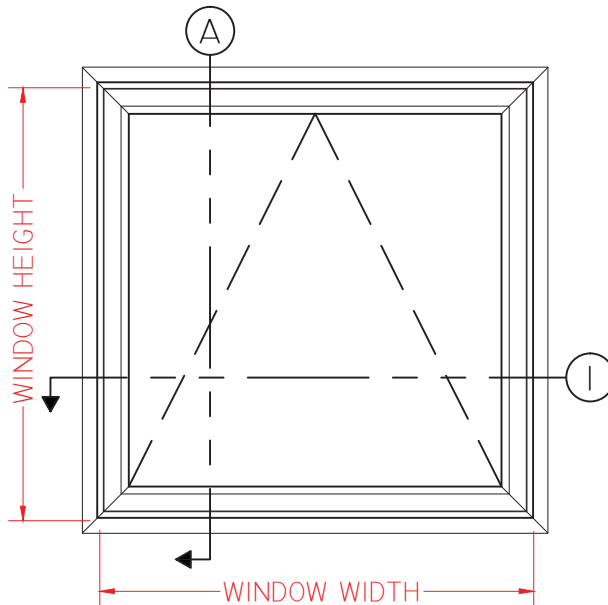
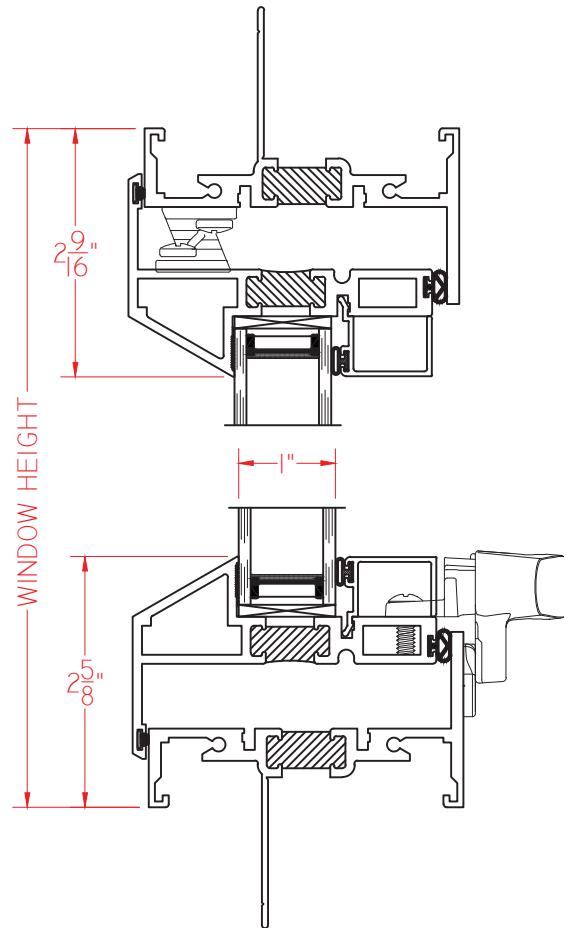
H600 Series
AW-PG50
3 1/4" Frame Depth
Awning (Project-Out)

H600 AWN WITH NAILING FIN (PUSH OUT)

This document contains confidential and proprietary information intended for the private use of Quaker.
© 2016 Quaker Window Products Co., INC. All rights reserved.
Quaker reserves the right to change any/all designs without notice. Due to periodic re-certification requirements, result shown may vary.



② VERTICAL CROSS SECTION



SCALE 1:3

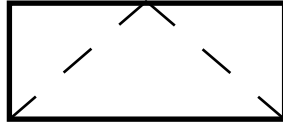
Our products are tested to the standards of and certified by the American Architectural Manufacturer's Association, the National Fenestration Rating Council and the Window & Door Manufacturers Association.



QUAKER
COMMERCIAL WINDOWS AND DOORS



QUAKER
COMMERCIAL WINDOWS AND DOORS



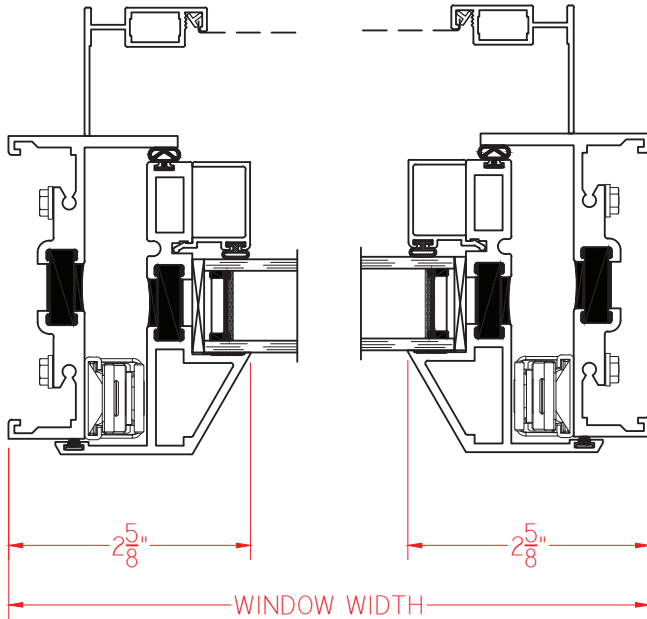
H600 Series
AW-PG50
3 1/4" Frame Depth
Awning (Project-Out)

H600 AWN WITHOUT NAILING FIN (PUSH OUT)

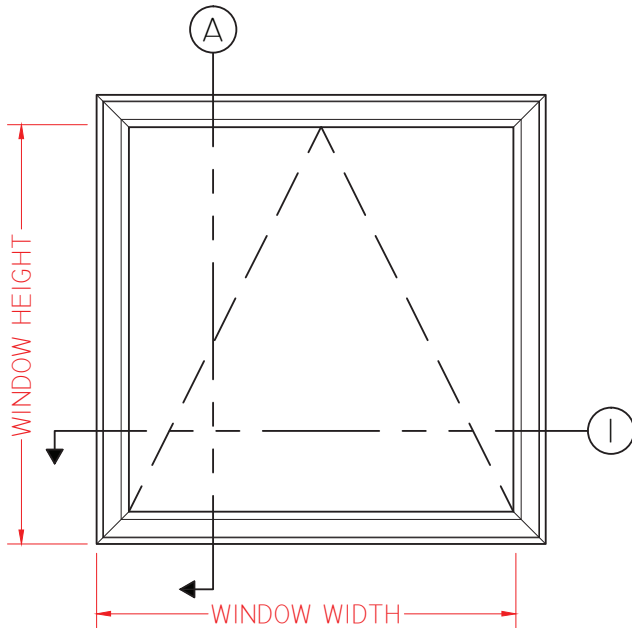
This document contains confidential and proprietary information intended for the private use of Quaker.

© 2016 Quaker Window Products Co., INC. All rights reserved.

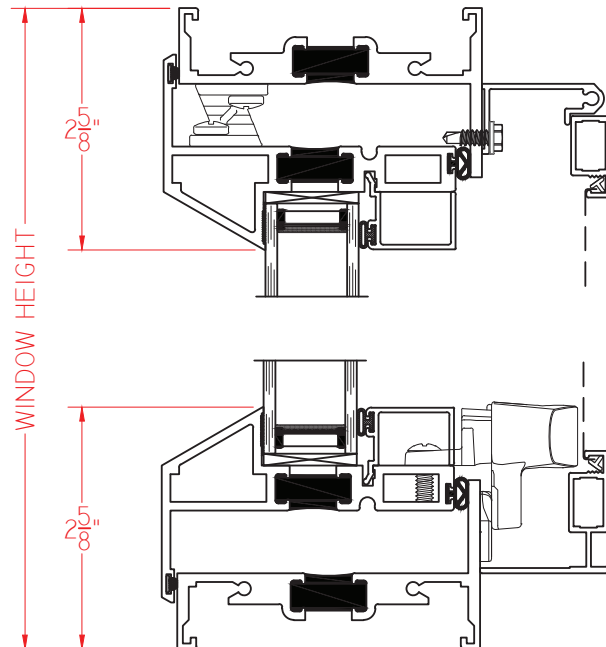
Quaker reserves the right to change any/all designs without notice. Due to periodic re-certification requirements, result shown may vary.



Ⓐ VERTICAL CROSS SECTION



ELEVATION SCALE 3/4" = 1'-0"



SCALE 1:2

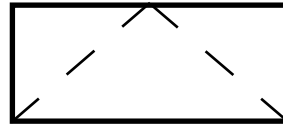
Our products are tested to the standards of and certified by the American Architectural Manufacturer's Association, the National Fenestration Rating Council and the Window & Door Manufacturers Association.



QUAKER
COMMERCIAL WINDOWS AND DOORS



QUAKER
COMMERCIAL WINDOWS AND DOORS

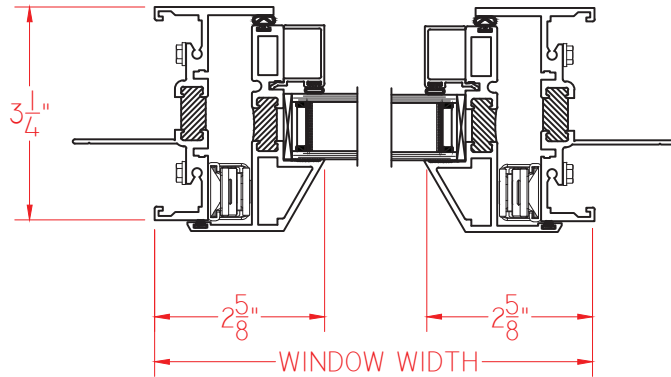


Historical
SERIES

**H600 Series
AW-PG50
3 1/4" Frame Depth
Awning (Project-Out)**

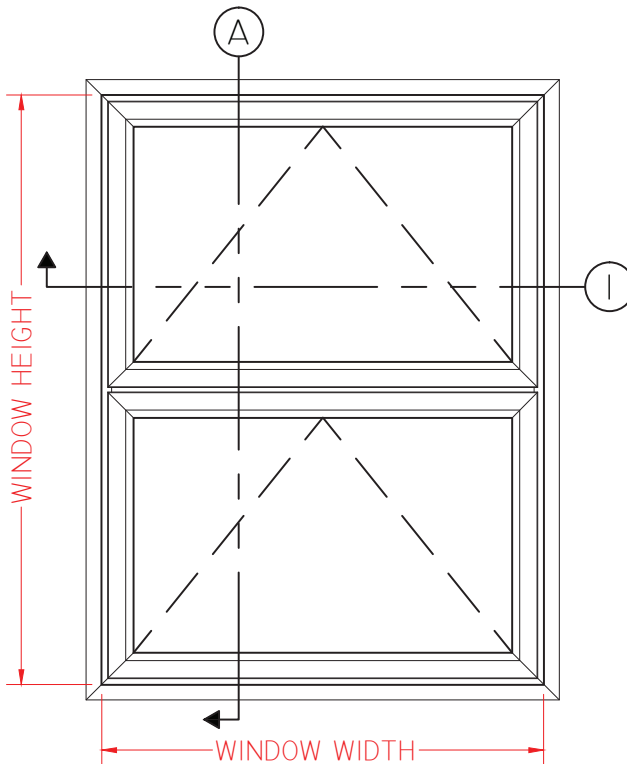
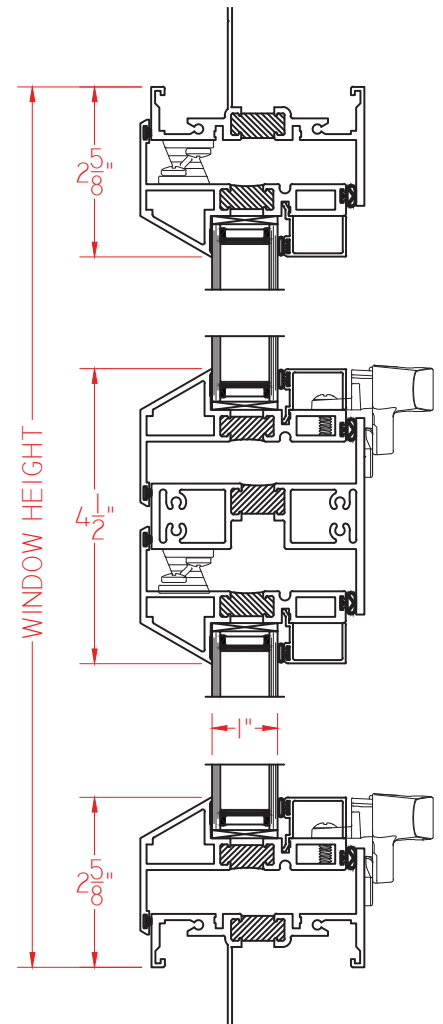
H600 AWN/AWN WITH NAILING FIN

This document contains confidential and proprietary information intended for the private use of Quaker.
© 2016 Quaker Window Products Co., INC. All rights reserved.
Quaker reserves the right to change any/all designs without notice. Due to periodic re-certification requirements, result shown may vary.



① HORIZONTAL
CROSS SECTION

Ⓐ VERTICAL
CROSS SECTION



SCALE 1:3

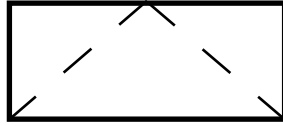
Our products are tested to the standards of and certified by the American Architectural Manufacturer's Association, the National Fenestration Rating Council and the Window & Door Manufacturers Association.



QUAKER
COMMERCIAL WINDOWS AND DOORS



QUAKER
COMMERCIAL WINDOWS AND DOORS



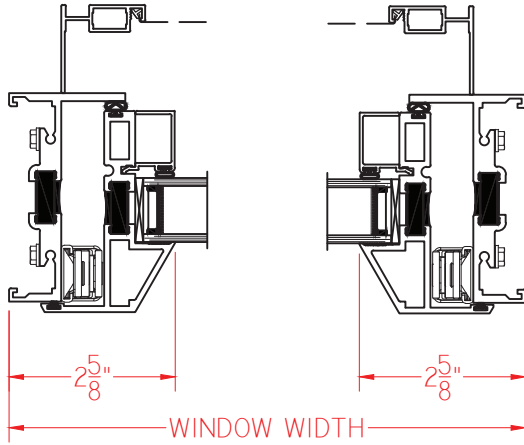
H600 Series
AW-PG50
3 1/4" Frame Depth
Awning (Project-Out)

H600 AWN/AWN WITHOUT NAILING FIN

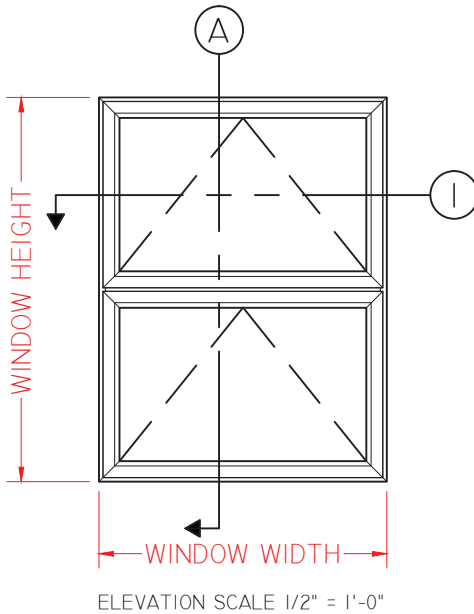
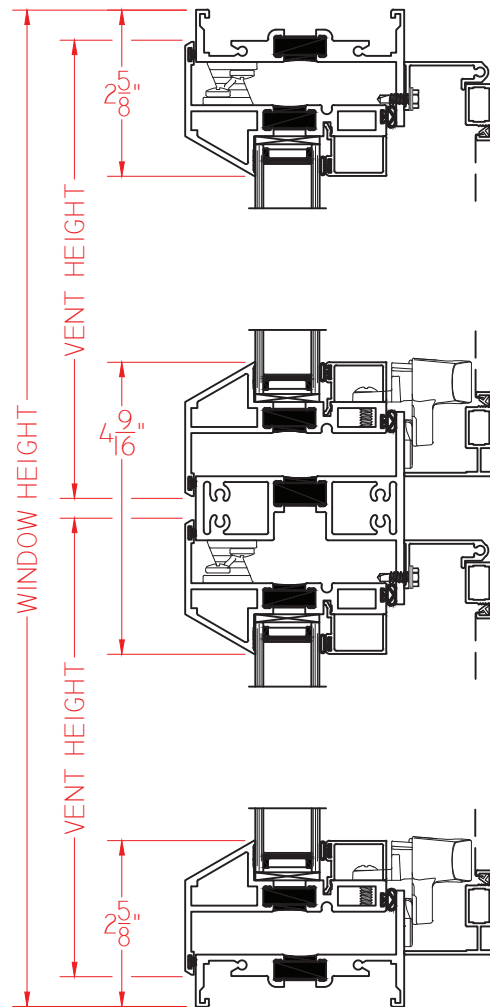
This document contains confidential and proprietary information intended for the private use of Quaker.

© 2016 Quaker Window Products Co., INC. All rights reserved.

Quaker reserves the right to change any/all designs without notice. Due to periodic re-certification requirements, result shown may vary.



Ⓐ VERTICAL CROSS SECTION



SCALE 1:3

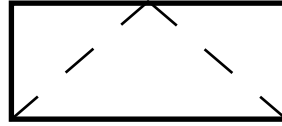
Our products are tested to the standards of and certified by the American Architectural Manufacturer's Association, the National Fenestration Rating Council and the Window & Door Manufacturers Association.



QUAKER
COMMERCIAL WINDOWS AND DOORS



QUAKER
COMMERCIAL WINDOWS AND DOORS



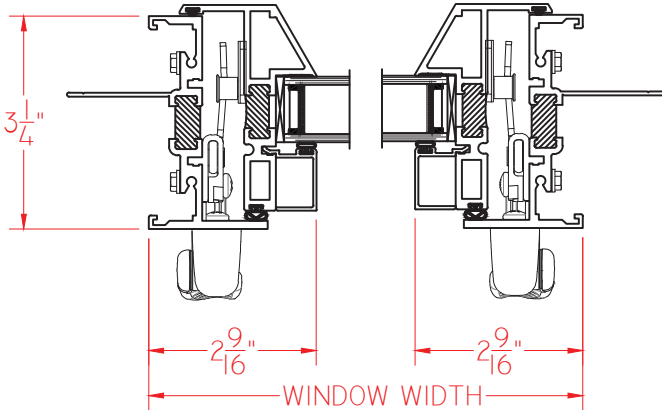
H600 Series
AW-PG50
3 1/4" Frame Depth
Awning (Project-Out)

H600 AWN/FIXED WITH NAILING FIN (CRANK OUT)

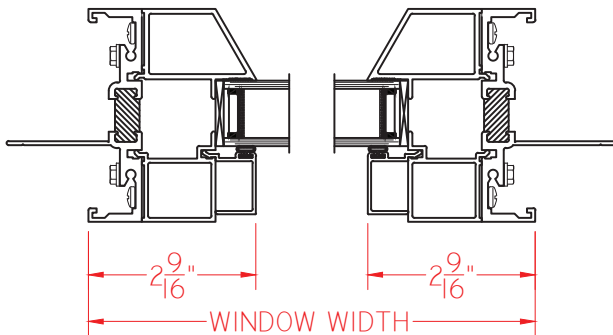
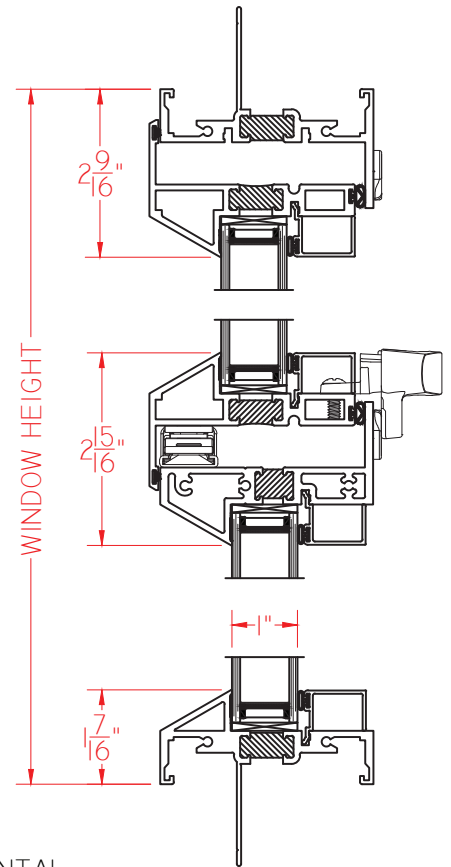
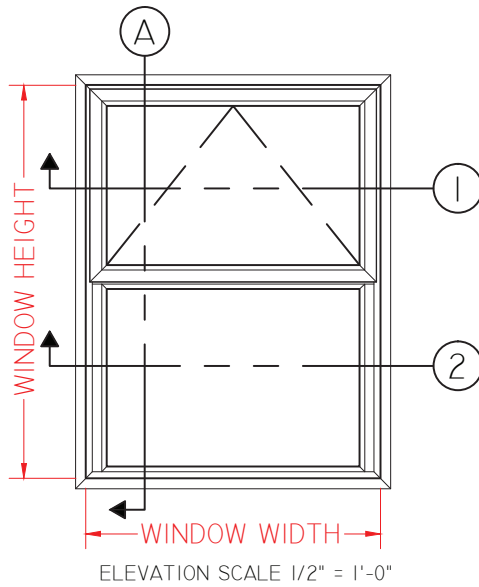
This document contains confidential and proprietary information intended for the private use of Quaker.

© 2016 Quaker Window Products Co., INC. All rights reserved.

Quaker reserves the right to change any/all designs without notice. Due to periodic re-certification requirements, result shown may vary.



② HORIZONTAL CROSS SECTION



SCALE 1:3

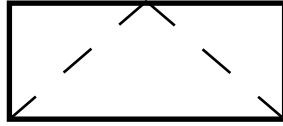
Our products are tested to the standards of and certified by the American Architectural Manufacturer's Association, the National Fenestration Rating Council and the Window & Door Manufacturers Association.



QUAKER
COMMERCIAL WINDOWS AND DOORS



QUAKER
COMMERCIAL WINDOWS AND DOORS



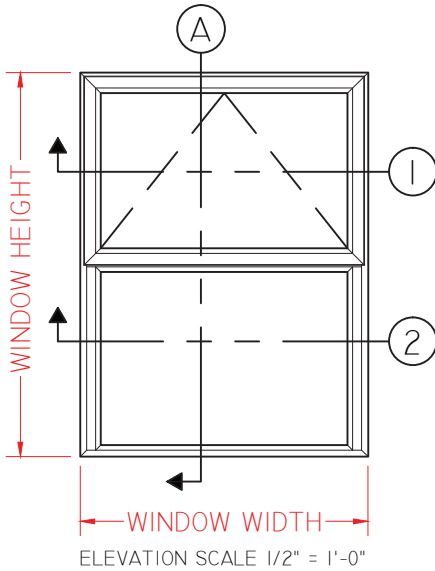
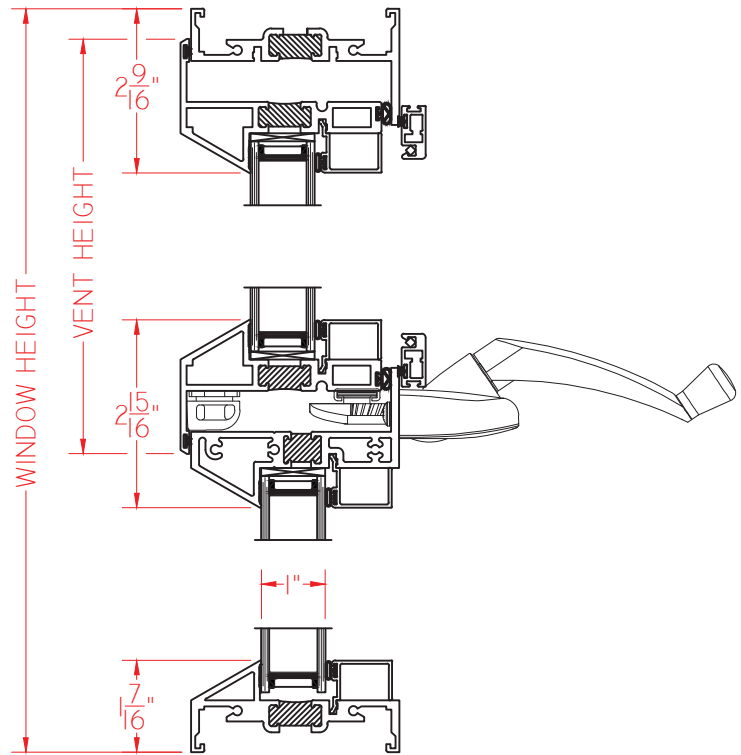
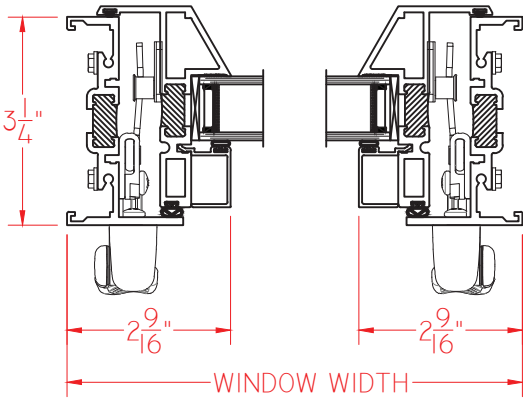
H600 Series
AW-PG50
3 1/4" Frame Depth
Awning (Project-Out)

H600 AWN/FIXED WITHOUT NAILING FIN (CRANK OUT)

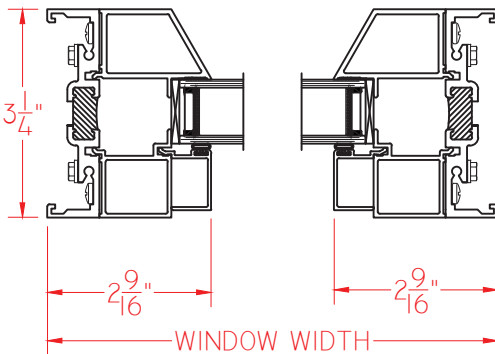
This document contains confidential and proprietary information intended for the private use of Quaker.
© 2016 Quaker Window Products Co., INC. All rights reserved.
Quaker reserves the right to change any/all designs without notice. Due to periodic re-certification requirements, result shown may vary.

① HORIZONTAL CROSS SECTION

Ⓐ VERTICAL CROSS SECTION



② HORIZONTAL CROSS SECTION



SCALE 1:3

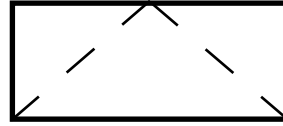
Our products are tested to the standards of and certified by the American Architectural Manufacturer's Association, the National Fenestration Rating Council and the Window & Door Manufacturers Association.



QUAKER
COMMERCIAL WINDOWS AND DOORS



QUAKER
COMMERCIAL WINDOWS AND DOORS

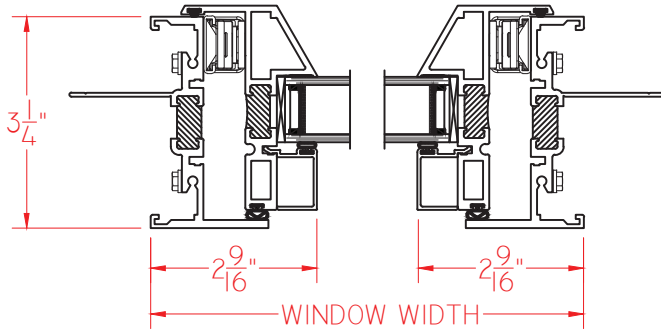


Historical
SERIES

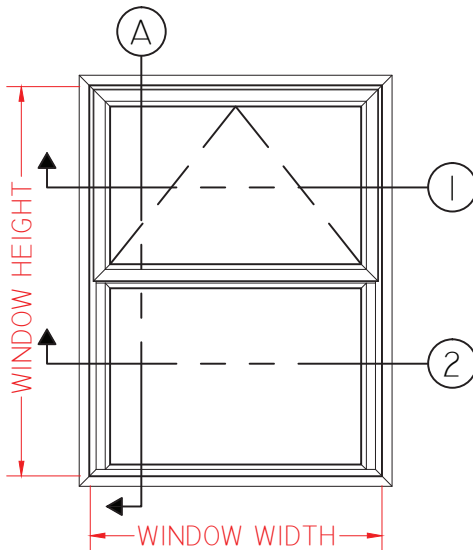
H600 Series
AW-PG50
3 1/4" Frame Depth
Awning (Project-Out)

H600 AWN/FIXED WITH NAILING FIN (PUSH OUT)

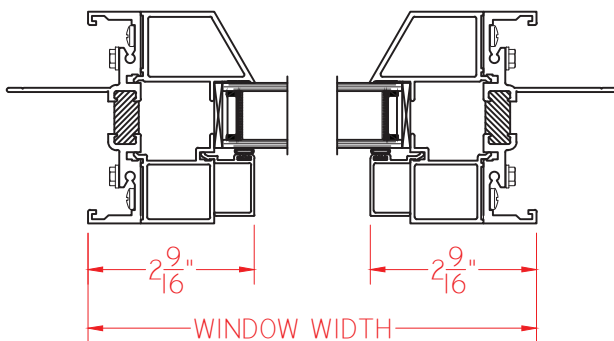
This document contains confidential and proprietary information intended for the private use of Quaker.
© 2016 Quaker Window Products Co., INC. All rights reserved.
Quaker reserves the right to change any/all designs without notice. Due to periodic re-certification requirements, result shown may vary.



① HORIZONTAL
CROSS SECTION

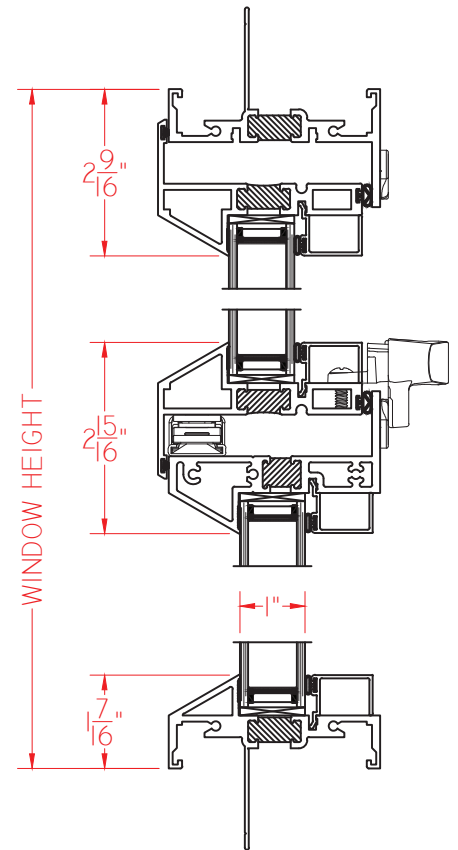


ELEVATION SCALE 1/2" = 1'-0"



② HORIZONTAL
CROSS SECTION

Ⓐ VERTICAL
CROSS SECTION



SCALE 1:3

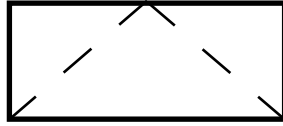
Our products are tested to the standards of and certified by the American Architectural Manufacturer's Association, the National Fenestration Rating Council and the Window & Door Manufacturers Association.



QUAKER
COMMERCIAL WINDOWS AND DOORS



QUAKER
COMMERCIAL WINDOWS AND DOORS



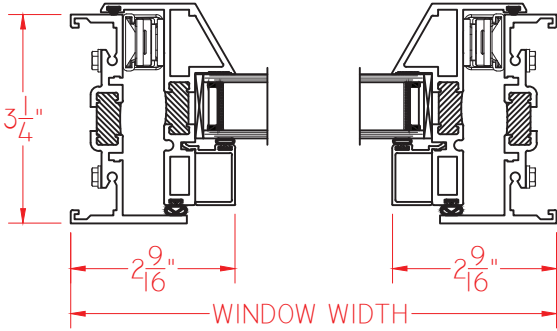
H600 Series
AW-PG50
3 1/4" Frame Depth
Awning (Project-Out)

H600 AWN/FIXED WITHOUT NAILING FIN (PUSH OUT)

This document contains confidential and proprietary information intended for the private use of Quaker.

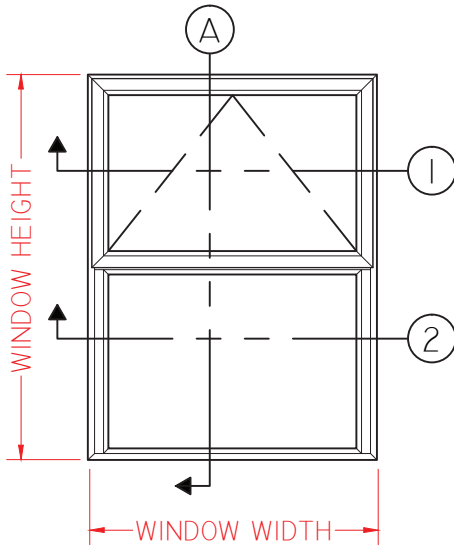
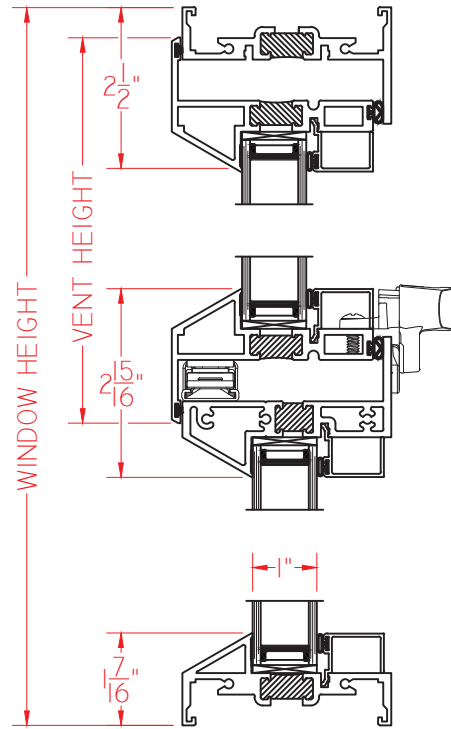
© 2016 Quaker Window Products Co., INC. All rights reserved.

Quaker reserves the right to change any/all designs without notice. Due to periodic re-certification requirements, result shown may vary.

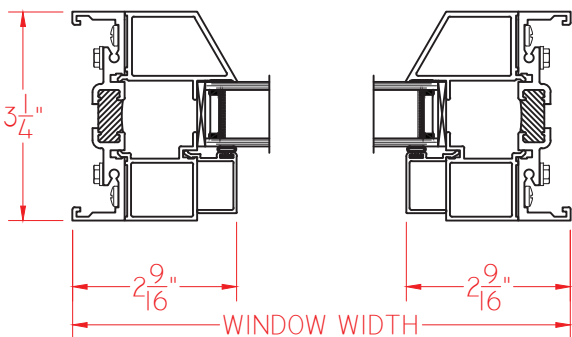


① HORIZONTAL CROSS SECTION

Ⓐ VERTICAL CROSS SECTION



ELEVATION SCALE 1/2" = 1'-0"



② HORIZONTAL CROSS SECTION

SCALE 1:3

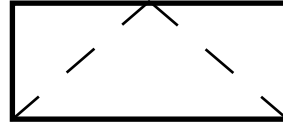
Our products are tested to the standards of and certified by the American Architectural Manufacturer's Association, the National Fenestration Rating Council and the Window & Door Manufacturers Association.



QUAKER
COMMERCIAL WINDOWS AND DOORS



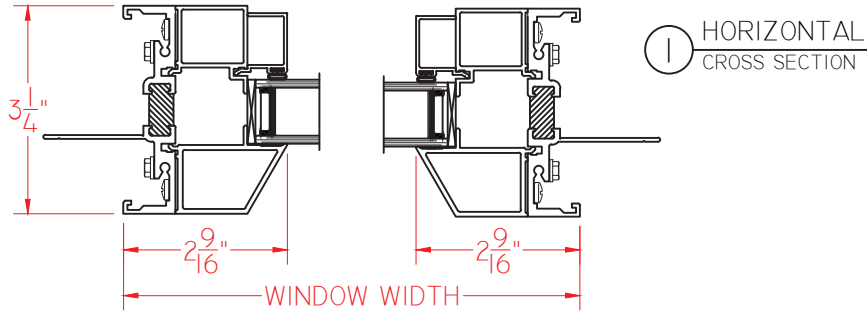
QUAKER
COMMERCIAL WINDOWS AND DOORS



Historical
SERIES

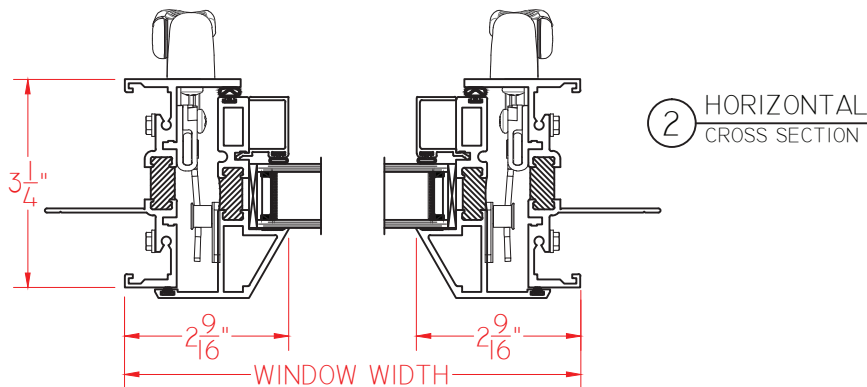
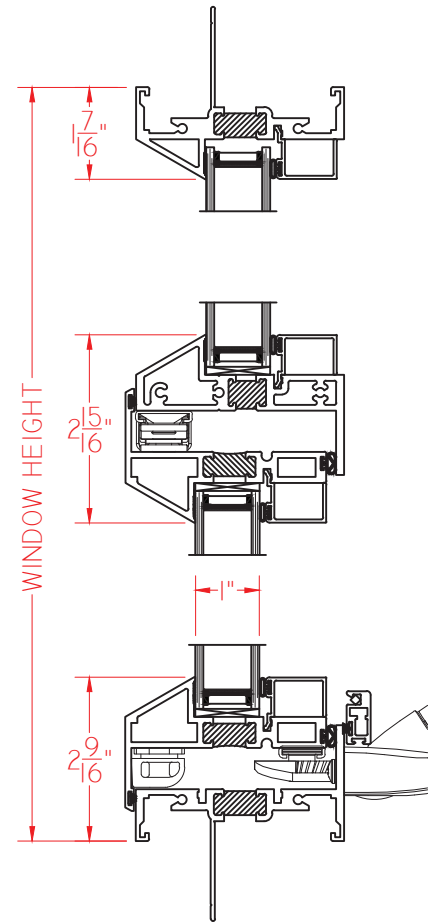
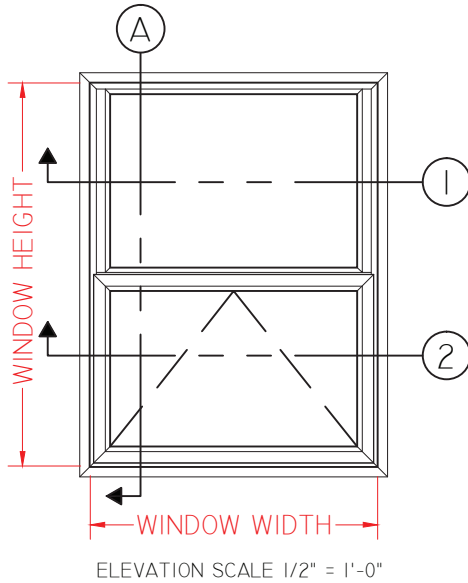
H600 Series
AW-PG50
3 1/4" Frame Depth
Awning (Project-Out)

H600 FIXED/AWN WITH NAILING FIN (CRANK OUT)



This document contains confidential and proprietary information intended for the private use of Quaker.
© 2016 Quaker Window Products Co., INC. All rights reserved.
Quaker reserves the right to change any/all designs without notice.
Due to periodic re-certification requirements, result shown may vary.

Ⓐ VERTICAL CROSS SECTION



SCALE 1:3

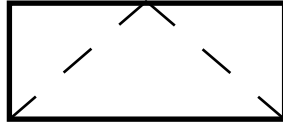
Our products are tested to the standards of and certified by the American Architectural Manufacturer's Association, the National Fenestration Rating Council and the Window & Door Manufacturers Association.



QUAKER
COMMERCIAL WINDOWS AND DOORS



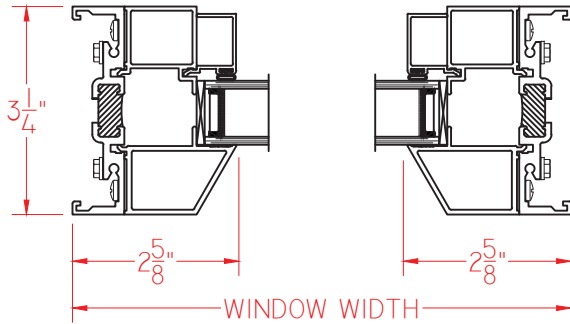
QUAKER
COMMERCIAL WINDOWS AND DOORS



H600 Series
AW-PG50
3 1/4" Frame Depth
Awning (Project-Out)

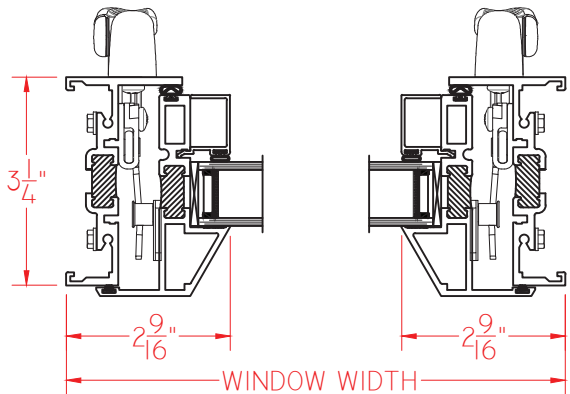
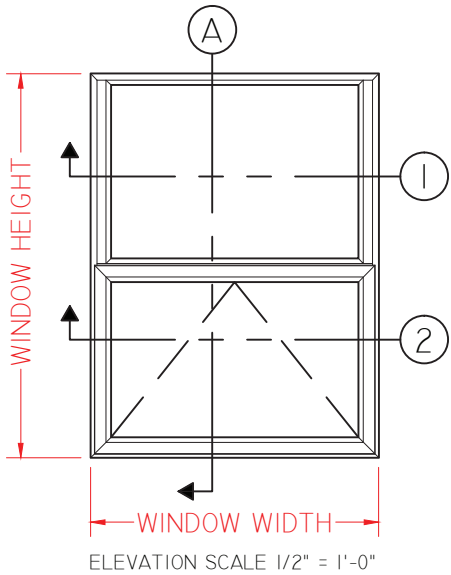
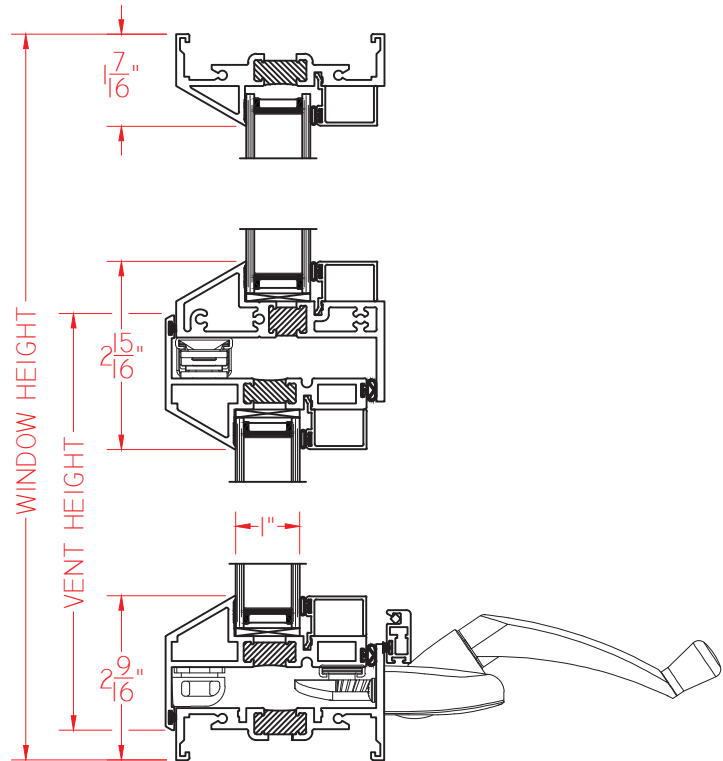
H600 FIXED/AWN WITHOUT NAILING FIN (CRANK OUT)

This document contains confidential and proprietary information intended for the private use of Quaker.
© 2016 Quaker Window Products Co., INC. All rights reserved.
Quaker reserves the right to change any/all designs without notice.
Due to periodic re-certification requirements, result shown may vary.



① HORIZONTAL CROSS SECTION

Ⓐ VERTICAL CROSS SECTION



② HORIZONTAL CROSS SECTION

SCALE 1:3

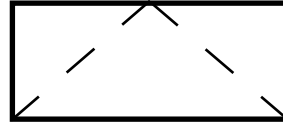
Our products are tested to the standards of and certified by the American Architectural Manufacturer's Association, the National Fenestration Rating Council and the Window & Door Manufacturers Association.



QUAKER
COMMERCIAL WINDOWS AND DOORS

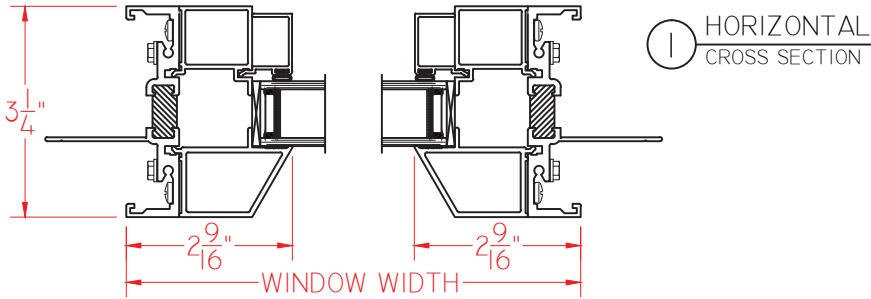


QUAKER
COMMERCIAL WINDOWS AND DOORS

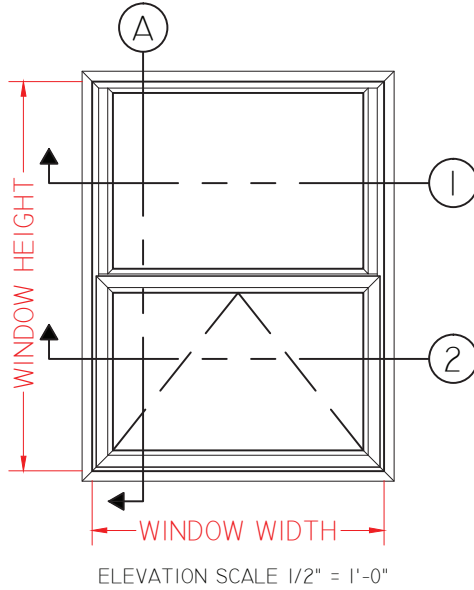


H600 Series
AW-PG50
3 1/4" Frame Depth
Awning (Project-Out)

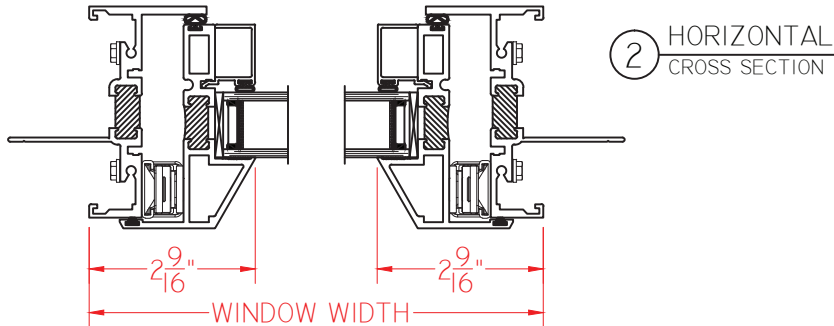
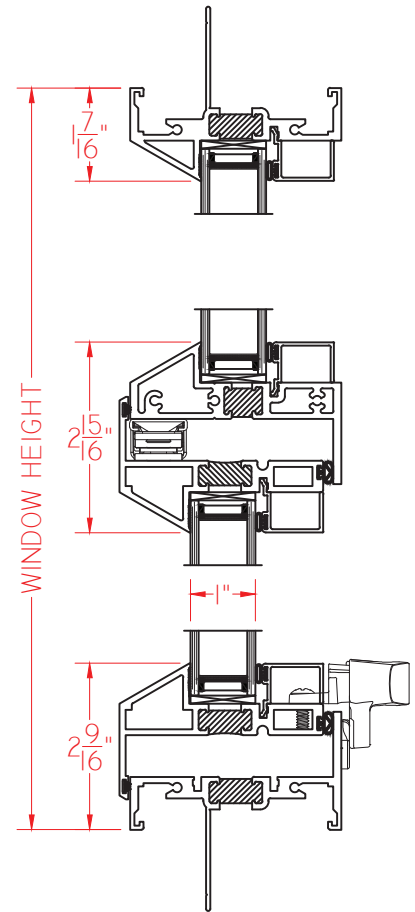
H600 FIXED/AWN WITH NAILING FIN (PUSH OUT)



This document contains confidential and proprietary information intended for the private use of Quaker.
© 2016 Quaker Window Products Co., INC. All rights reserved.
Quaker reserves the right to change any/all designs without notice.
Due to periodic re-certification requirements, result shown may vary.



Ⓐ VERTICAL CROSS SECTION



SCALE 1:3

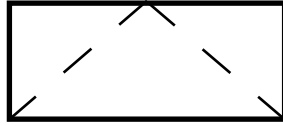
Our products are tested to the standards of and certified by the American Architectural Manufacturer's Association, the National Fenestration Rating Council and the Window & Door Manufacturers Association.



QUAKER
COMMERCIAL WINDOWS AND DOORS



QUAKER
COMMERCIAL WINDOWS AND DOORS



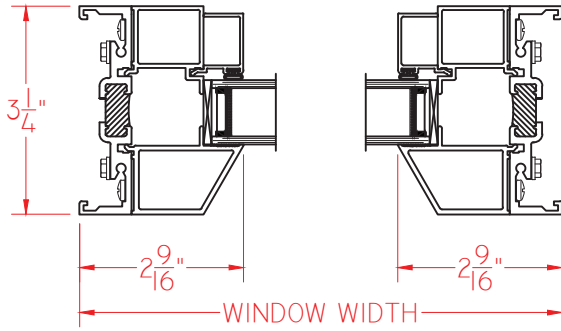
Historical
SERIES

H600 Series

AW-PG50

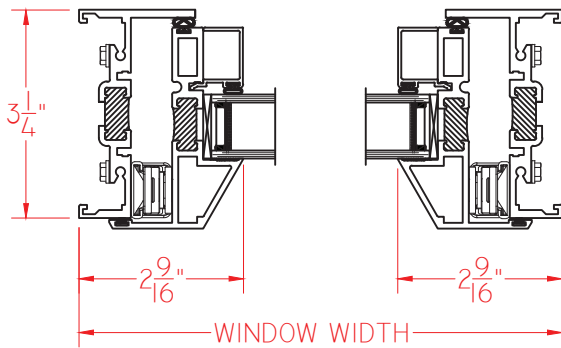
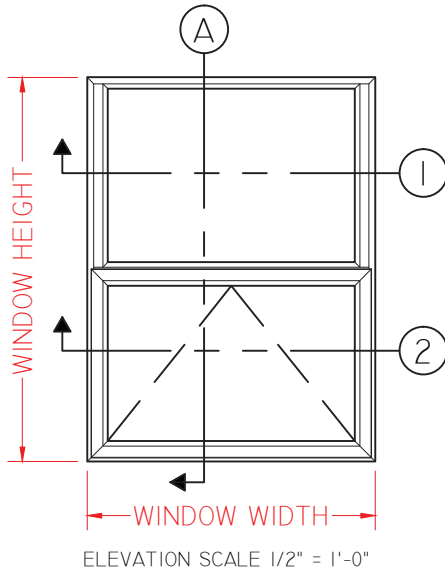
**3 1/4" Frame Depth
Awning (Project-Out)**

H600 FIXED/AWN WITHOUT NAILING FIN (PUSH OUT)

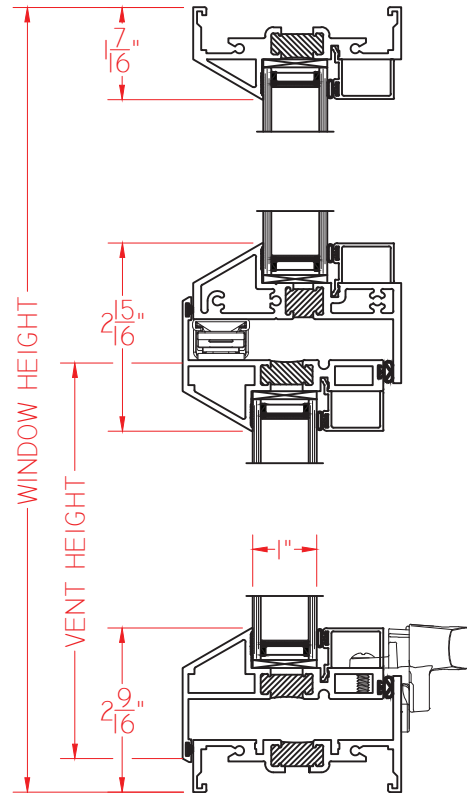


① HORIZONTAL
CROSS SECTION

Ⓐ VERTICAL
CROSS SECTION



② HORIZONTAL
CROSS SECTION



This document contains confidential and proprietary information intended for the private use of Quaker.
© 2016 Quaker Window Products Co., INC. All rights reserved.
Quaker reserves the right to change any/all designs without notice.
Due to periodic re-certification requirements, result shown may vary.

SCALE 1:3

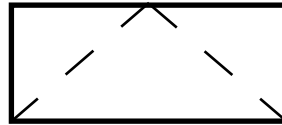
Our products are tested to the standards of and certified by the American Architectural Manufacturer's Association, the National Fenestration Rating Council and the Window & Door Manufacturers Association.



QUAKER
COMMERCIAL WINDOWS AND DOORS



QUAKER
COMMERCIAL WINDOWS AND DOORS

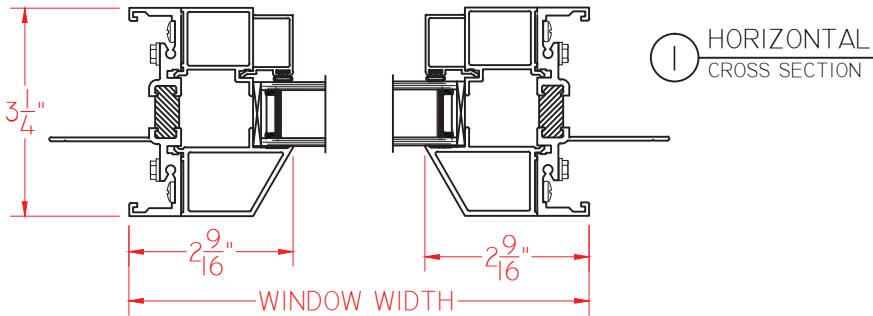


Historical
SERIES

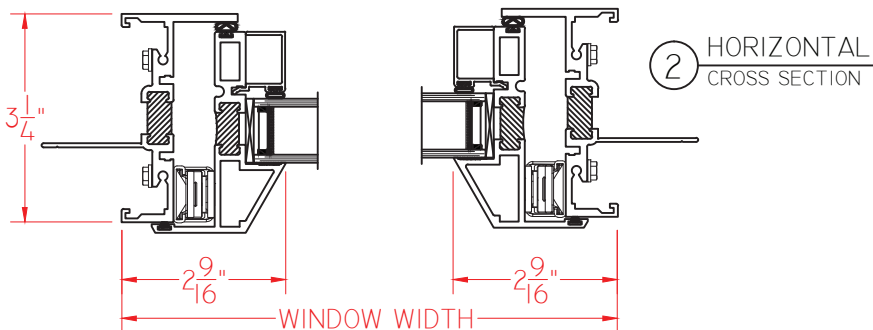
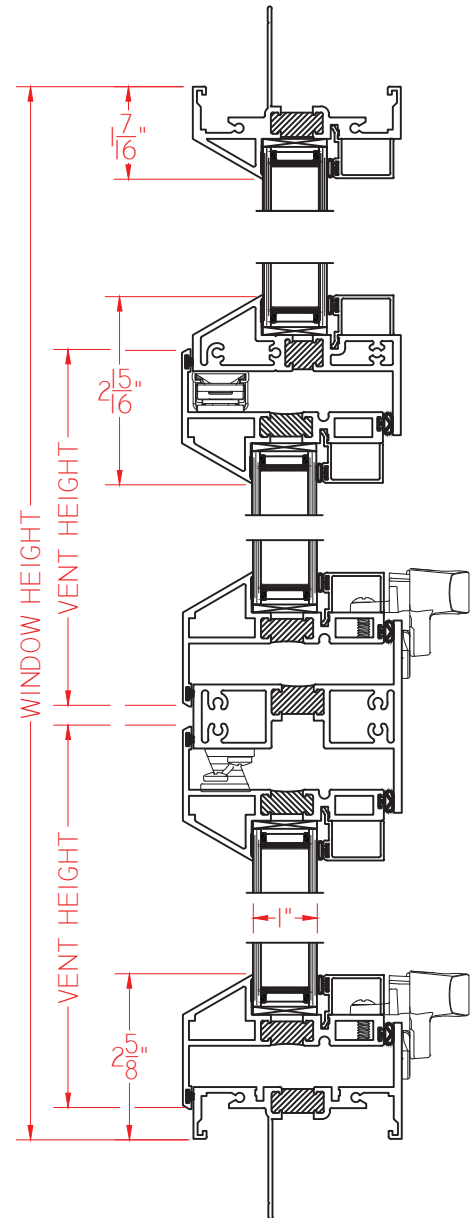
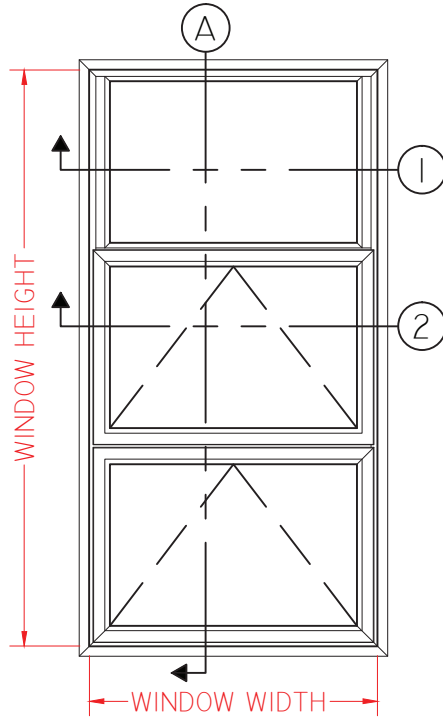
H600 Series
AW-PG50
3 1/4" Frame Depth
Awning (Project-Out)

H600 FIXED/AWN/AWN WITH NAILING FIN

This document contains confidential and proprietary information intended for the private use of Quaker.
© 2016 Quaker Window Products Co., INC. All rights reserved.
Quaker reserves the right to change any/all designs without notice.
Due to periodic re-certification requirements, result shown may vary.



② VERTICAL CROSS SECTION



SCALE 1:3

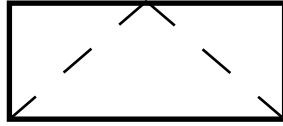
Our products are tested to the standards of and certified by the American Architectural Manufacturer's Association, the National Fenestration Rating Council and the Window & Door Manufacturers Association.



QUAKER
COMMERCIAL WINDOWS AND DOORS



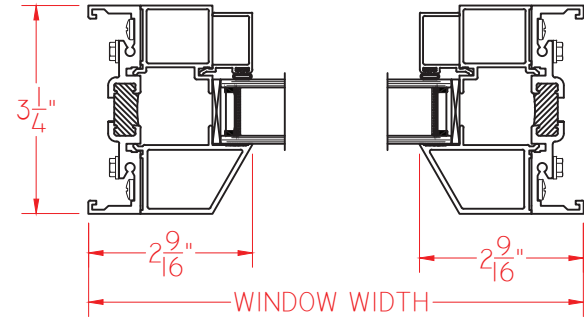
QUAKER
COMMERCIAL WINDOWS AND DOORS



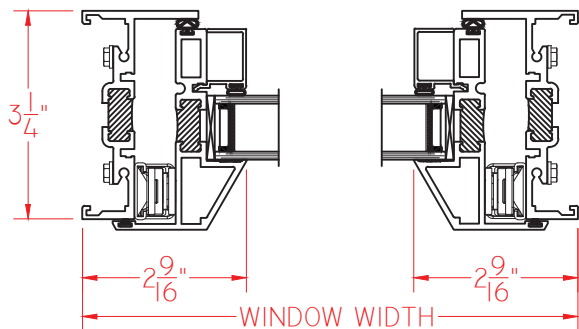
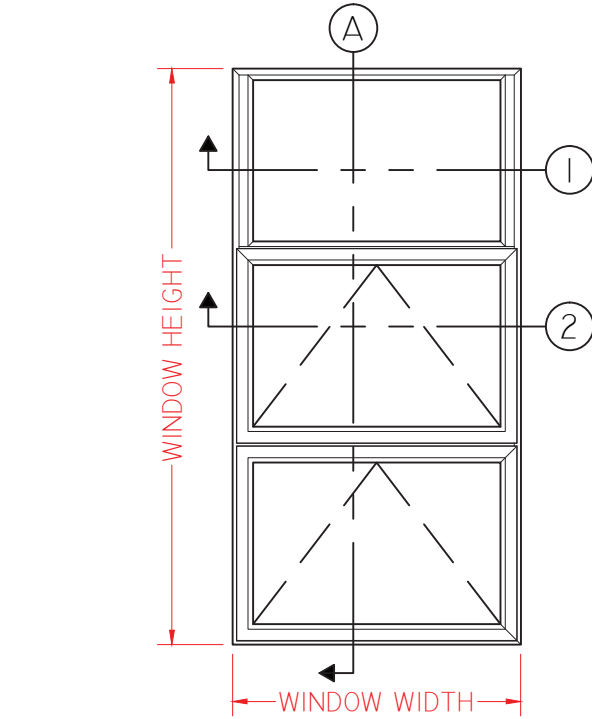
Historical
SERIES

**H600 Series
AW-PG50
3 1/4" Frame Depth
Awning (Project-Out)**

H600 FIXED/AWN/AWN WITHOUT NAILING FIN



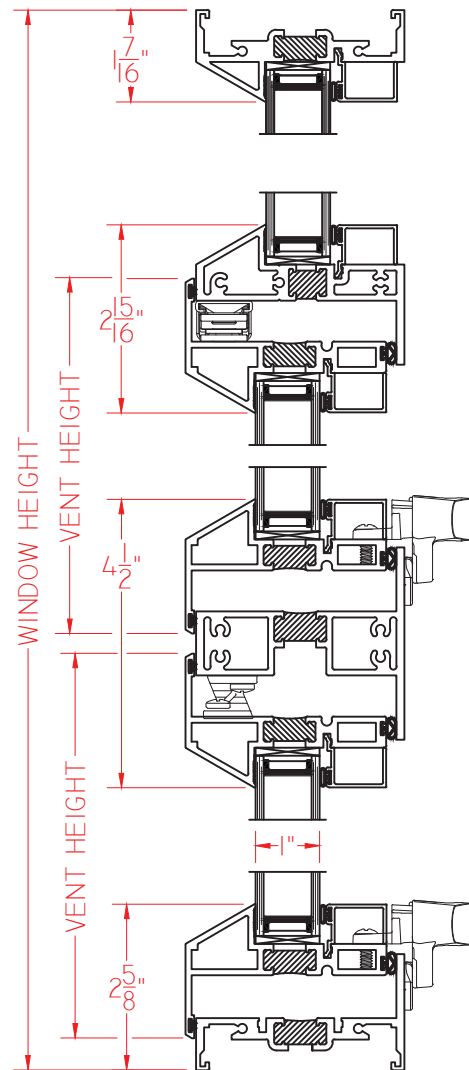
① HORIZONTAL CROSS SECTION



② HORIZONTAL CROSS SECTION

This document contains confidential and proprietary information intended for the private use of Quaker.
© 2016 Quaker Window Products Co., INC. All rights reserved.
Quaker reserves the right to change any/all designs without notice.
Due to periodic re-certification requirements, result shown may vary.

Ⓐ VERTICAL CROSS SECTION



SCALE 1:3

Our products are tested to the standards of and certified by the American Architectural Manufacturer's Association, the National Fenestration Rating Council and the Window & Door Manufacturers Association.



QUAKER
COMMERCIAL WINDOWS AND DOORS