

M300/M600 SERIES SLIDING DOOR

The Quaker M300/M600 Series Sliding door is ideal for a variety of applications including - Energy Efficient, Institutions, Education, Apartments and Assisted Living.

FEATURES

- ◇ **Commercial Framing System**
 - 5" main frame
 - 0.070 extruded wall thickness of frame
 - 0.062" extruded wall thickness of sash
 - Frames shipped K.D.
- ◇ **Thermally Enhanced Design**
 - Azon pour and debridge thermal break is 1/2" wide in all main frame and vent rail extrusions
 - Internal weep system for effective water damage
 - Steel Roller System
 - Mitered panels with heavy-duty corner keys
- ◇ **Integral Nailing Fin**
- ◇ **Glazing**
 - 1" tempered insulated glass
- ◇ **Hardware**
 - Heavy-duty steel rollers operate in stainless steel roller track, making operation easy and smooth
 - D-Loop Handle hardware (interior & exterior)
- ◇ **Screen**
 - Extruded aluminum screen frame with BetterVue™ mesh

BENEFITS

- ◇ The capacity to match exterior colors for unique project facades
- ◇ The ability to facilitate custom sizes for taller and wider door openings

OPTIONS

- ◇ **Available Configurations**
 - Fixed-Active
 - Active-Fixed
 - Fixed-Active-Fixed
 - Fixed-Fixed-Active
 - Active-Fixed-Fixed
 - Fixed-Active-Active-Fixed
- ◇ **Muntin Choices**
 - Internal or simulated divided lites available
- ◇ **Screen**
 - Extruded aluminum screen frame with aluminum wire mesh
 - Extruded aluminum screen frame with sunscreen mesh
 - Extruded aluminum screen frame with stainless steel 0.009" thickness mesh
- ◇ **Glazing**
 - Up to 1 3/8" thickness of I.G. available
 - Variety of Energy-Efficient glass packages
 - Impact Glazing
 - Sound attenuation glazing packages for STC/OITC
- ◇ **Hardware**
 - Premium 2" roller system
 - Flush Handle hardware
- ◇ **Panning & Trim Choices**
 - Structural Transition mulls
 - Wide variety of panning, receptor and trim available

PERFORMANCE

- ◇ **Structural & Thermal** (test reports or thermal simulations available upon request)

Model	M300		M600	
	Active-Fixed	Fixed-Active-Fixed	Active-Fixed	Fixed-Active-Fixed
AAMA/WDMA/CSA 101/I.S.2/A440-08 Rating	CW50		AW50	
Structural Load P.S.F.	50.13		75	
Air at 50 MPH (cfm/ft ²)	0.16		<0.01	
Water (No Penetration) P.S.F.	7.52		12.00	
U-Value (with standard glass pane thickness and various Low-E packages)	0.34-0.39		0.36-0.40	
SHGC (with standard glass pane thickness and various Low-E packages)	0.21-0.32		0.21-0.32	
Test size	95" x 83"		123" x 95"	

Operating Force:

M300 Active-Fixed
28 lbf (initiate motion),
17 lbf (maintain motion),
<1 lbf (latches)

M300 Fixed-Active-Fixed
15 lbf (initiate motion),
15 lbf (maintain motion),
<1 lbf (latches)

M600 Active-Fixed
37.3 lbf (initiate motion),
24.3 lbf (maintain motion),
<1 lbf (latches)

M600 Fixed-Active-Fixed
30 lbf (initiate motion),
22.6 lbf (maintain motion),
1 lbf (latches)

Performance numbers and AAMA Grade ratings shown are projected. Certification is in progress.

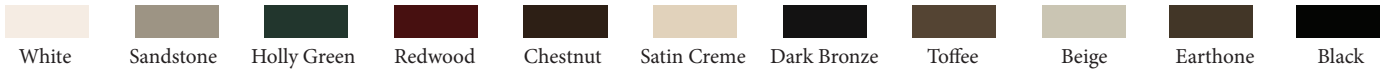
Our products are tested to the standards of and certified by the American Architectural Manufacturer's Association, the National Fenestration Rating Council and the Window & Door Manufacturers Association.



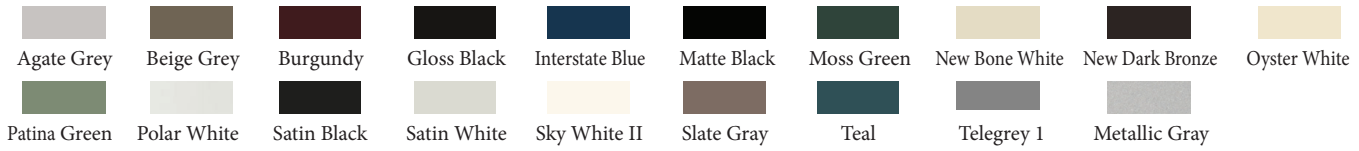
ARCHITECTURAL PAINT COATINGS AND FINISHES

◇ Baked on powder coat finish meets ANSA/AAMA 2604 specs and is available in unlimited colors

- 11 Popular Colors



- 19 Impressive Colors



- 7 Resemble Colors (painted finish resembling anodized)



- Unlimited Custom Colors

* Printed colors shown here may not accurately depict actual painted colors. Color samples are available upon request.

◇ ANSA/AAMA 2605 powder coat finishes

◇ AAMA 611-98 Class I clear and tinted anodized finishes

Our products are tested to the standards of and certified by the American Architectural Manufacturer's Association, the National Fenestration Rating Council and the Window & Door Manufacturers Association.



QUAKER
COMMERCIAL WINDOWS AND DOORS

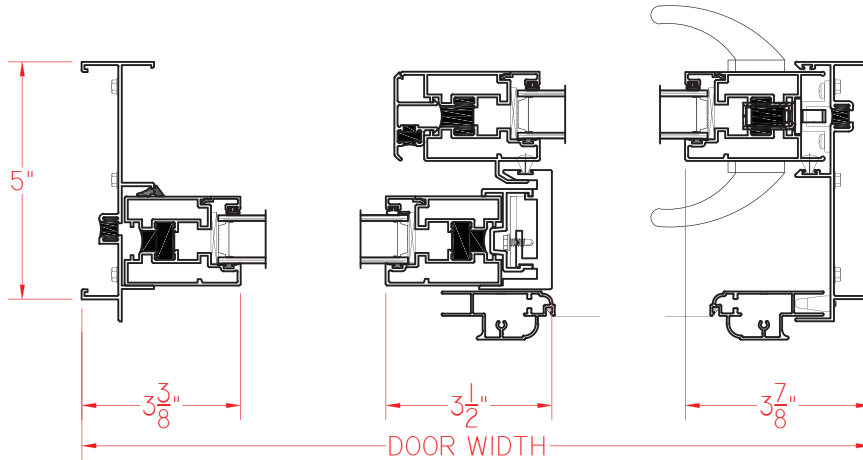


QUAKER
COMMERCIAL WINDOWS AND DOORS

**M300
CW-50
5" Frame Depth
Sliding Door**

M300 SERIES SLIDING DOOR (FIXED/ACTIVE)

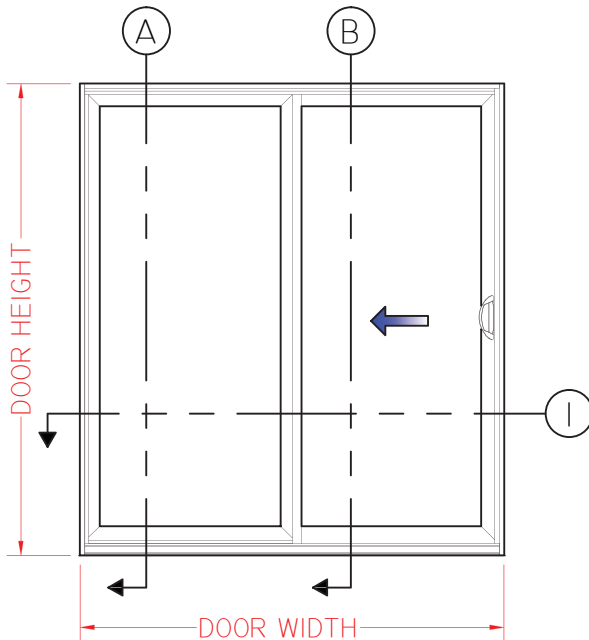
AS VIEWED FROM EXTERIOR



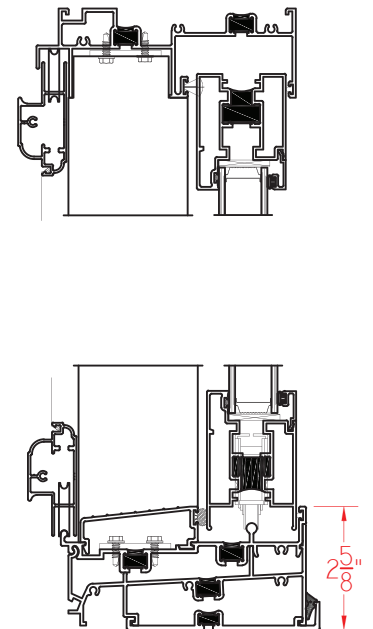
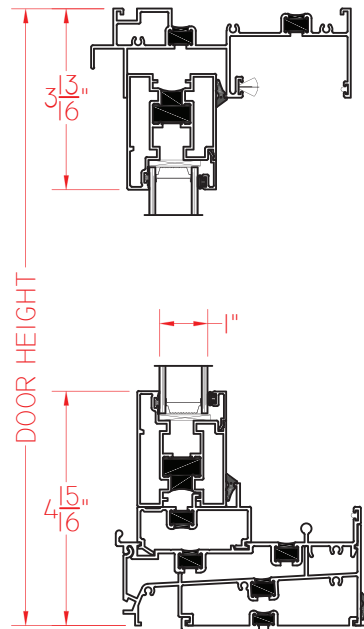
① HORIZONTAL CROSS SECTION

Ⓐ VERTICAL CROSS SECTION

Ⓑ VERTICAL CROSS SECTION



ELEVATION SCALE 3/8" = 1'-0"



SCALE 1:4

Our products are tested to the standards of and certified by the American Architectural Manufacturer's Association, the National Fenestration Rating Council and the Window & Door Manufacturers Association.



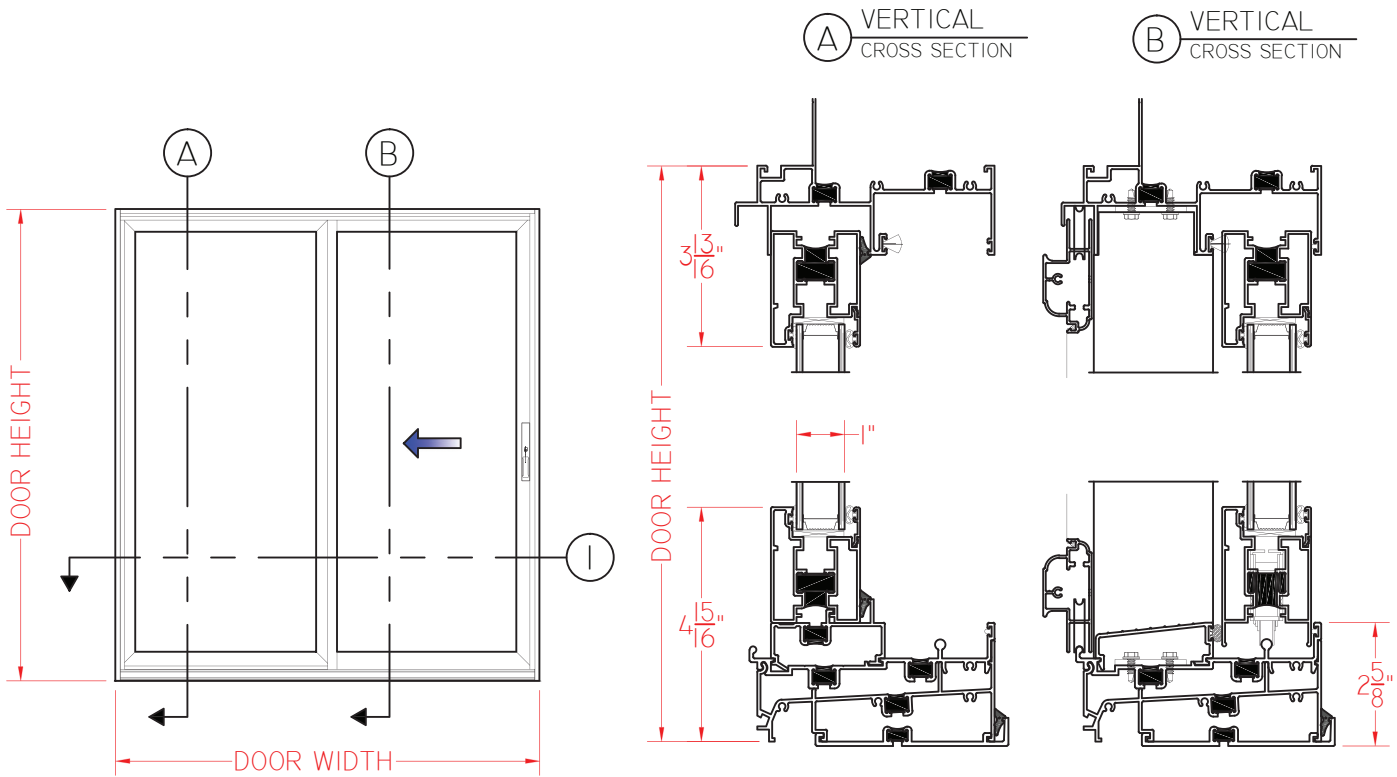
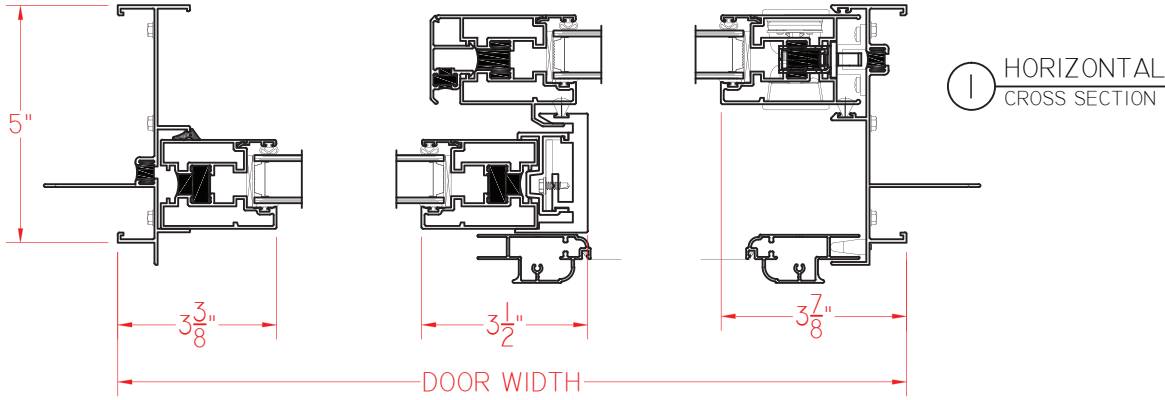
QUAKER
COMMERCIAL WINDOWS AND DOORS



QUAKER
COMMERCIAL WINDOWS AND DOORS

M300
CW-50
5" Frame Depth
Sliding Door

M300 SERIES SLIDING DOOR WITH FIN (FIXED/ACTIVE)
AS VIEWED FROM EXTERIOR



ELEVATION SCALE 3/8" = 1'-0"

SCALE 1:4

Our products are tested to the standards of and certified by the American Architectural Manufacturer's Association, the National Fenestration Rating Council and the Window & Door Manufacturers Association.



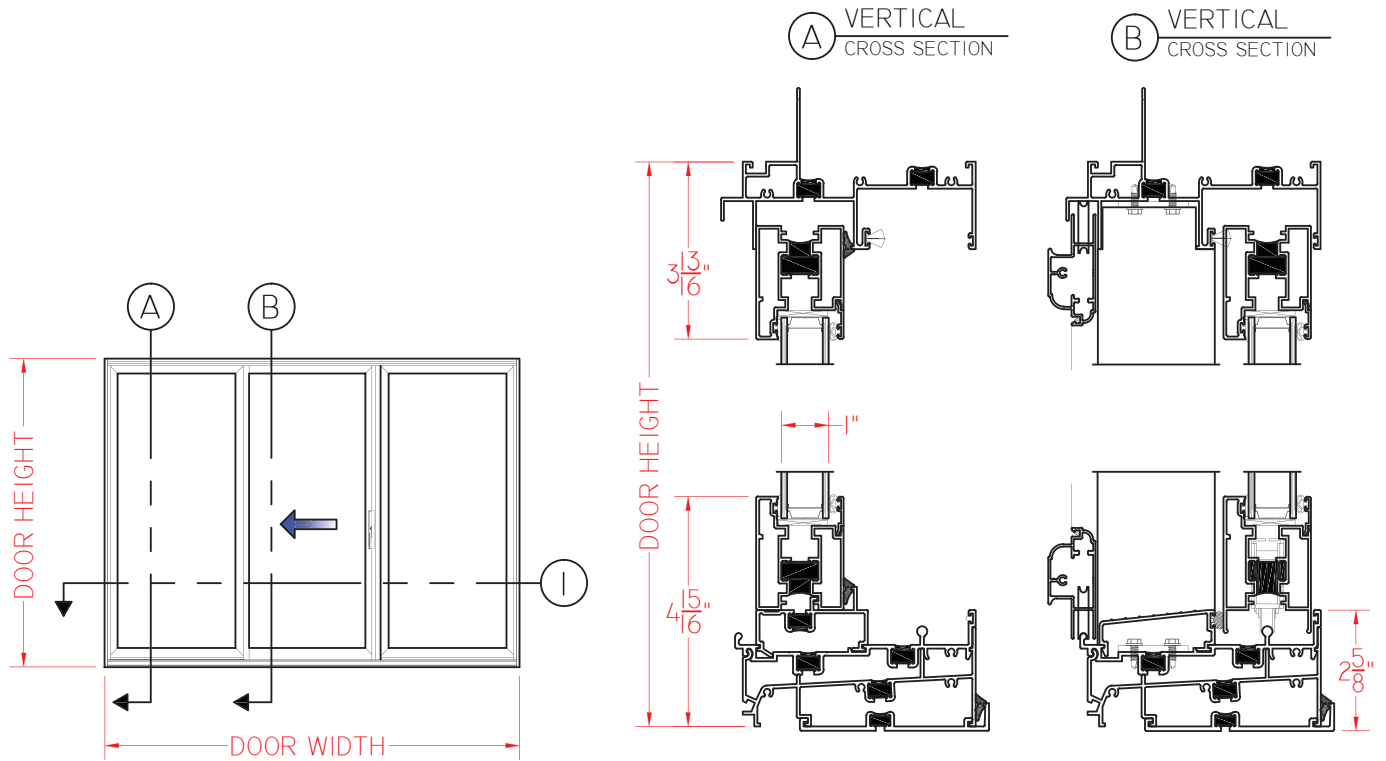
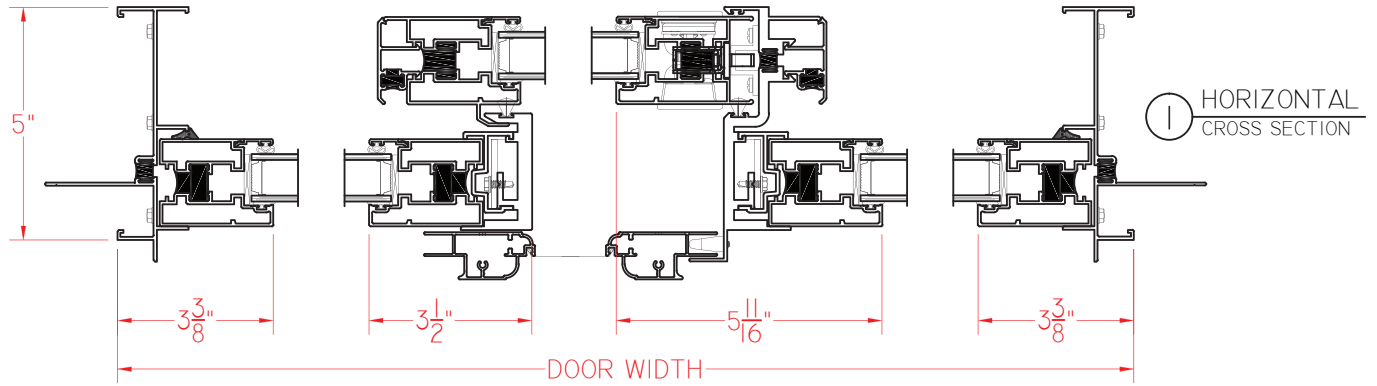
QUAKER
COMMERCIAL WINDOWS AND DOORS



QUAKER
COMMERCIAL WINDOWS AND DOORS

**M300
CW-50
5" Frame Depth
Sliding Door**

M300 SERIES SLIDING DOOR WITH FIN (FIXED/ACTIVE/FIXED)
AS VIEWED FROM EXTERIOR



ELEVATION SCALE 1/4" = 1'-0"

SCALE 1:4

Our products are tested to the standards of and certified by the American Architectural Manufacturer's Association, the National Fenestration Rating Council and the Window & Door Manufacturers Association.



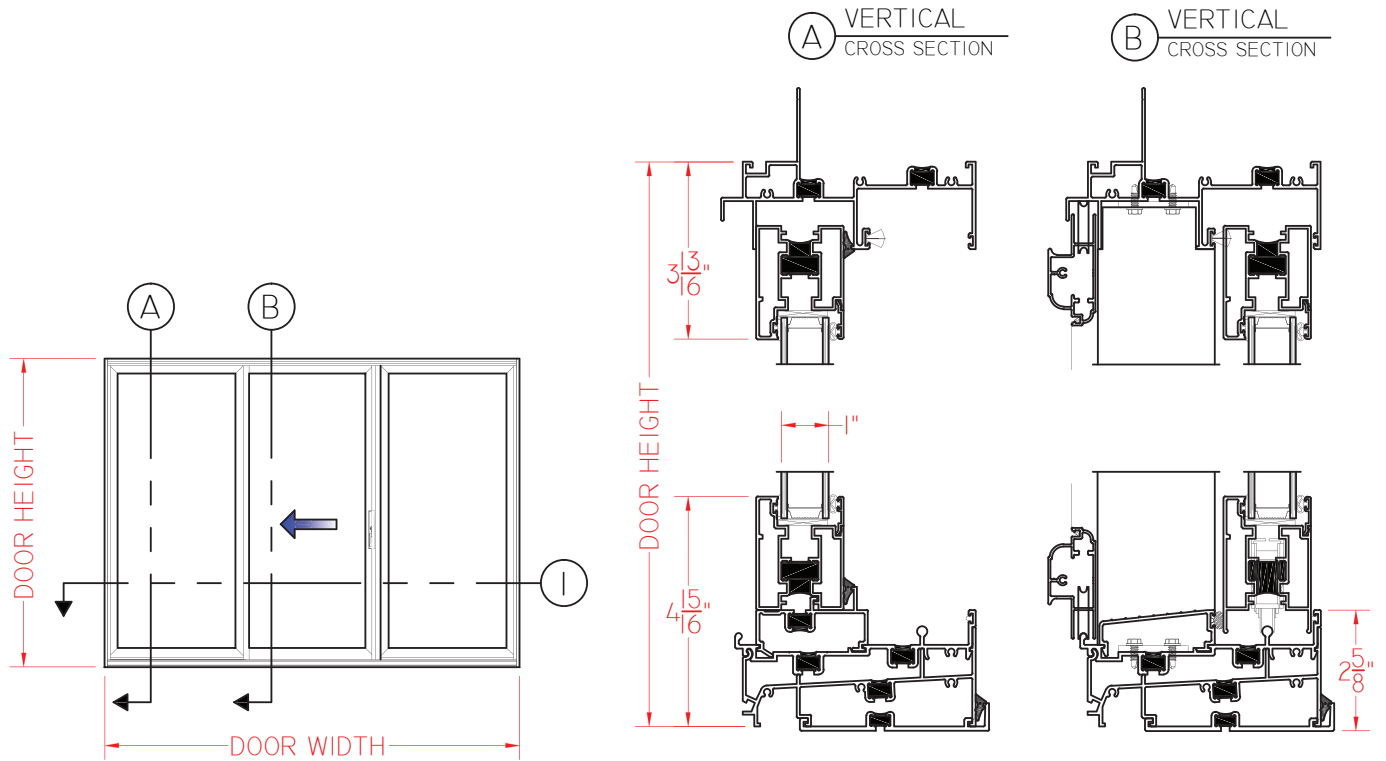
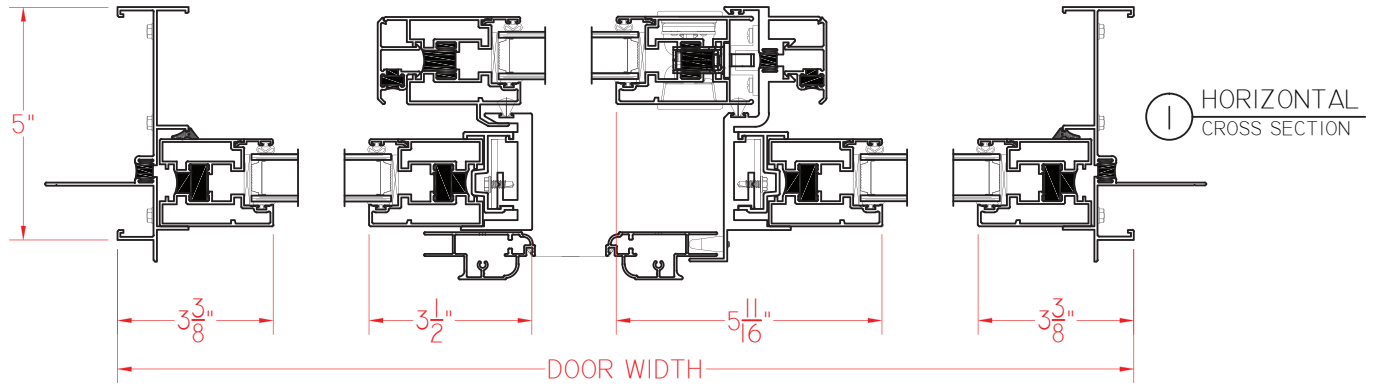
QUAKER
COMMERCIAL WINDOWS AND DOORS



QUAKER
COMMERCIAL WINDOWS AND DOORS

**M300
CW-50
5" Frame Depth
Sliding Door**

M300 SERIES SLIDING DOOR WITH FIN (ACTIVE/FIXED/ACTIVE)
AS VIEWED FROM EXTERIOR



ELEVATION SCALE 1/4" = 1'-0"

SCALE 1:4

Our products are tested to the standards of and certified by the American Architectural Manufacturer's Association, the National Fenestration Rating Council and the Window & Door Manufacturers Association.



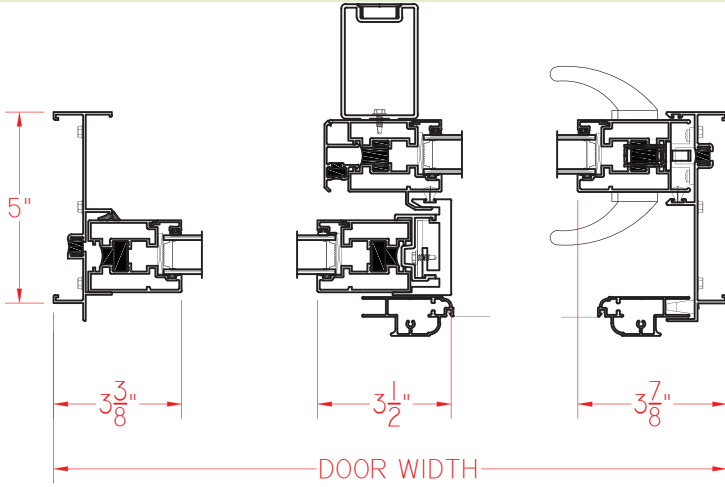
QUAKER
COMMERCIAL WINDOWS AND DOORS



QUAKER
COMMERCIAL WINDOWS AND DOORS

M600
AW-70
5" Frame Depth
Sliding Door

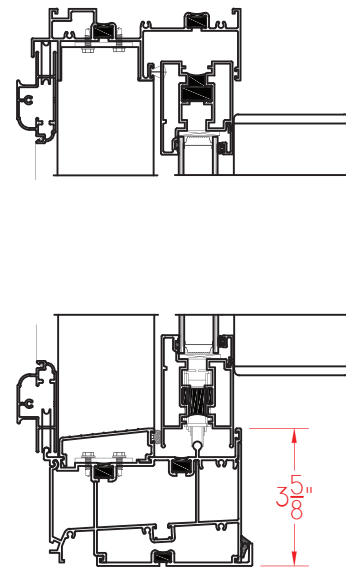
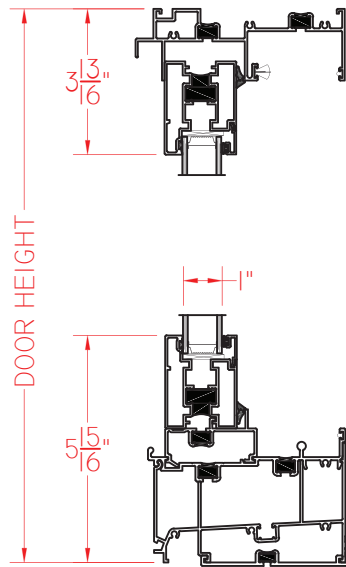
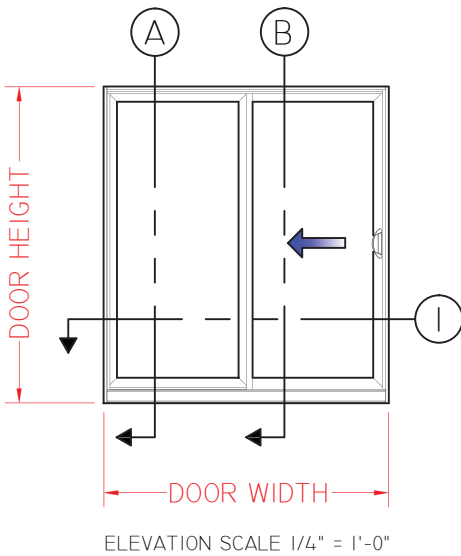
M600 SERIES SLIDING DOOR (FIXED/ACTIVE)
AS VIEWED FROM EXTERIOR



① HORIZONTAL CROSS SECTION

Ⓐ VERTICAL CROSS SECTION

Ⓑ VERTICAL CROSS SECTION



SCALE 1:5

Our products are tested to the standards of and certified by the American Architectural Manufacturer's Association, the National Fenestration Rating Council and the Window & Door Manufacturers Association.



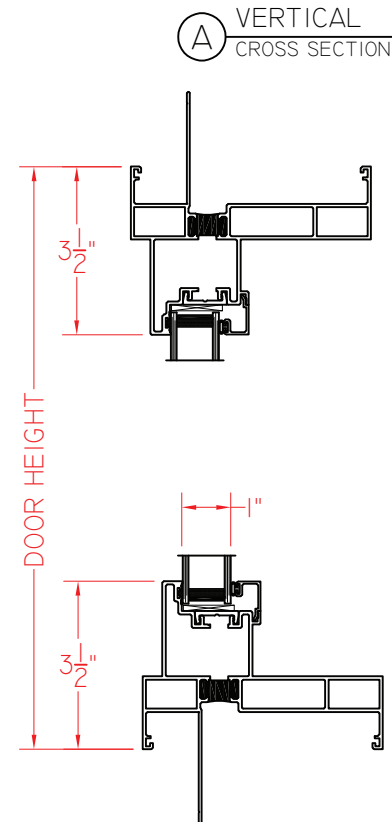
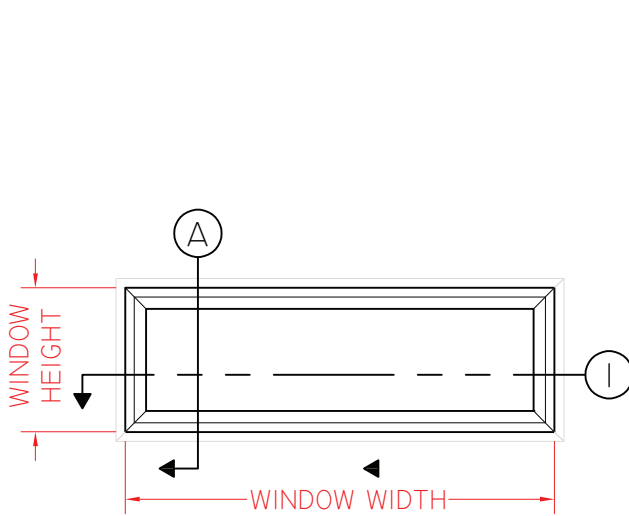
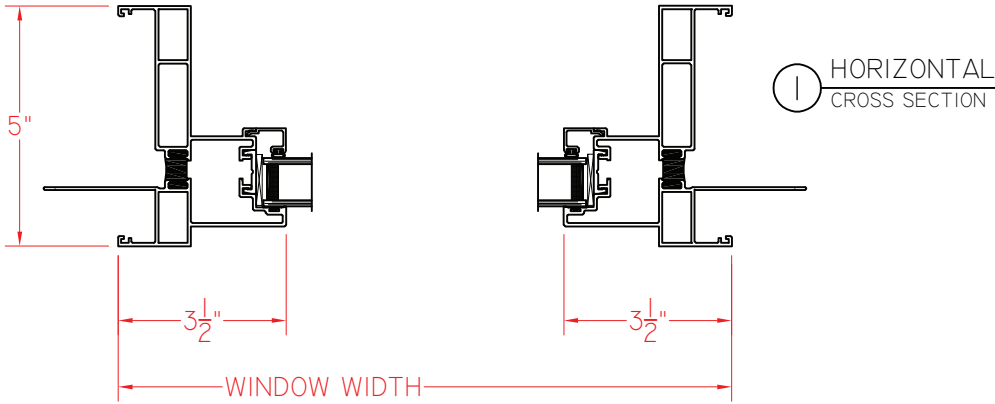
QUAKER
COMMERCIAL WINDOWS AND DOORS



QUAKER
COMMERCIAL WINDOWS AND DOORS

**M600
AW-70
5" Frame Depth
Sliding Door**

M300/M600 SERIES TRANSOM & SIDELITE



Our products are tested to the standards of and certified by the American Architectural Manufacturer's Association, the National Fenestration Rating Council and the Window & Door Manufacturers Association.



QUAKER
COMMERCIAL WINDOWS AND DOORS