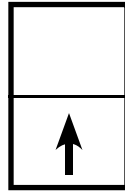




QUAKER
COMMERCIAL WINDOWS AND DOORS



 Traditional
SERIES

**T300 Series
HC40
3 1/4" Frame Depth
Single Hung**

T300 SERIES SINGLE HUNG

The Quaker Traditional T300 Series Single Hung window is ideal for a variety of applications including - Institutions, Education, Apartments and Assisted Living.

FEATURES

- ◇ **Commercial Framing System**
 - 3 1/4" main frame
 - 0.062" wall thickness of frame and sash
- ◇ **Thermally Enhanced Design**
 - Azon pour and debridge thermal break is 1/2" wide in all main frame and vent rail extrusions
 - Double fin-type weatherstripping
 - Full width lift handles
- ◇ **Glazing**
 - 1" insulated glass
- ◇ **Hardware**
 - Block and tackle balancers
 - Gravity latch
- ◇ **Screen**
 - Extruded aluminum screen frame with BetterVue™ mesh

BENEFITS

- ◇ The capacity to match exterior colors for unique project facades
- ◇ The ability to facilitate large sizes for taller and wider window openings

PERFORMANCE

- ◇ Structural & Thermal (test reports or thermal simulations available upon request)

Model	Single Hung
AAMA/WDMA/CSA 101/IS.2/A440-08 Rating	HC40
Structural Load P.S.F.	60.15
Air at 50 MPH (cfm/ft ²)	0.01
Water (No Penetration) P.S.F.	6.07
U-Value (with Low-E and Argon)	0.37 - 0.42
SHGC (with Low-E and Argon)	0.14 - 0.33

Window test size: 60" x 99"
Operating Force: 28 lbf (maintain motion), 14 lbf (gravity latches)

OPTIONS

- ◇ **Available Configurations**
 - Single hung
 - Oriel single hung
- ◇ **Muntin Choices**
 - Internal or simulated divided lites available
- ◇ **Hardware**
 - Class 5 balancers
 - Limited travel latch
- ◇ **Nailing Fin**
- ◇ **Screen**
 - Extruded aluminum screen frame with aluminum wire mesh
 - Extruded aluminum screen frame with sunscreen mesh
 - Extruded aluminum screen frame with stainless steel 0.009" thickness mesh
 - Security screen
- ◇ **Glazing**
 - Capillary tubes
 - Argon gas
 - Wide variety of glazing, tinting and thickness options
- ◇ **Panning & Trim Choices**
 - Wide variety of panning, receptor and trim available
- ◇ **Mulling**
 - Wide variety of structural mulls
- ◇ **Specialty**
 - Attached exterior or interior storm window
 - Extension jambs



Our products are tested to the standards of and certified by the American Architectural Manufacturer's Association, the National Fenestration Rating Council and the Window & Door Manufacturers Association.

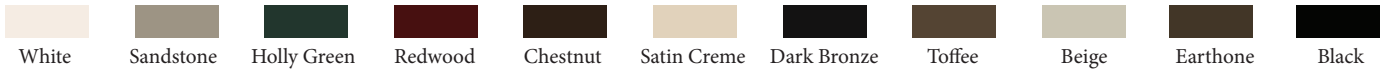


QUAKER
COMMERCIAL WINDOWS AND DOORS

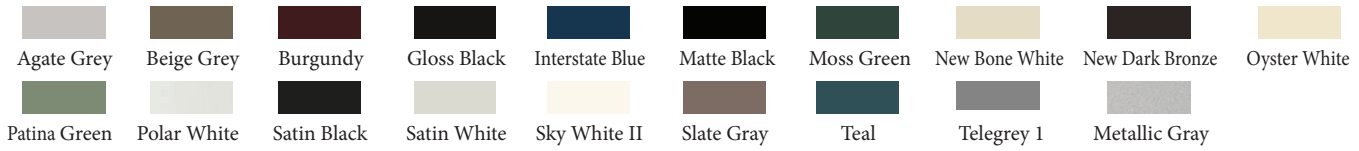
ARCHITECTURAL PAINT COATINGS AND FINISHES

◇ Baked on powder coat finish meets ANSA/AAMA 2604 specs and is available in unlimited colors

- 11 Popular Colors



- 19 Impressive Colors



- 7 Resemble Colors (painted finish resembling anodized)



- Unlimited Custom Colors

* Printed colors shown here may not accurately depict actual painted colors. Color samples are available upon request.

◇ ANSA/AAMA 2605 powder coat finishes

◇ AAMA 611-98 Class I clear and tinted anodized finishes

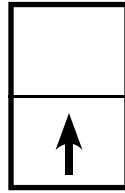
Our products are tested to the standards of and certified by the American Architectural Manufacturer's Association, the National Fenestration Rating Council and the Window & Door Manufacturers Association.



QUAKER
COMMERCIAL WINDOWS AND DOORS



QUAKER
COMMERCIAL WINDOWS AND DOORS

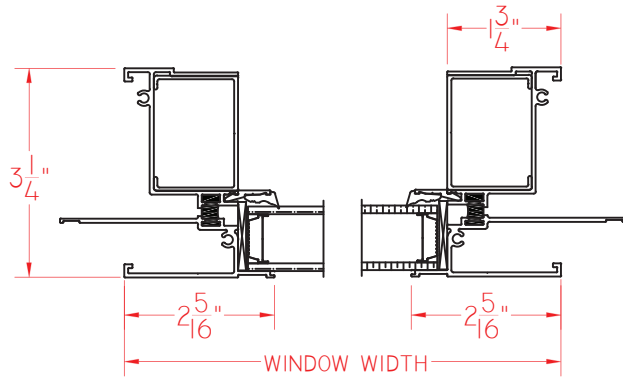


Traditional
SERIES

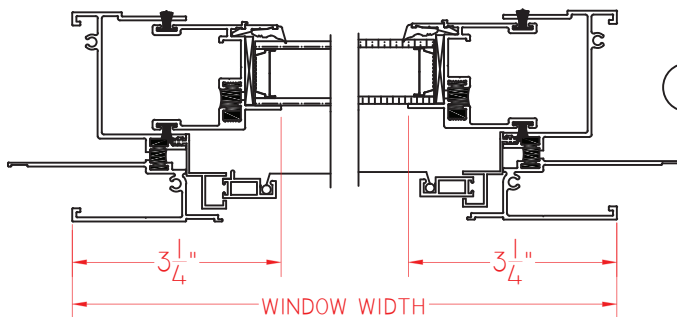
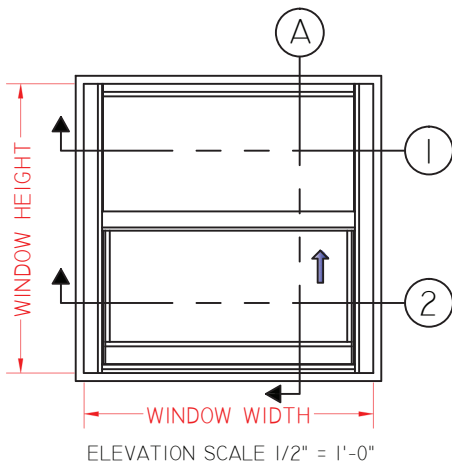
**T300 Series
HC40
3 1/4" Frame Depth
Single Hung**

T300 SH WITH NAILING FIN

This document contains confidential and proprietary information intended for the private use of Quaker.
© 2016 Quaker Window Products Co., INC. All rights reserved.
Quaker reserves the right to change any/all designs without notice. Due to periodic re-certification requirements, result shown may vary.

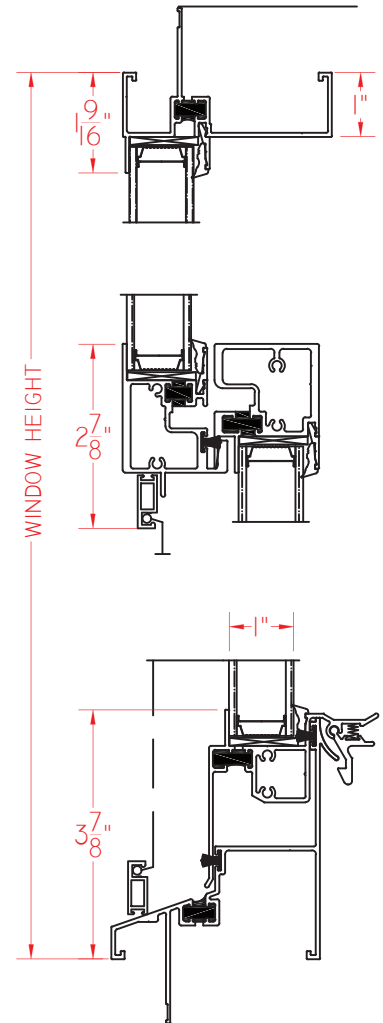


① HORIZONTAL CROSS SECTION



② HORIZONTAL CROSS SECTION

Ⓐ VERTICAL CROSS SECTION



T300 SINGLE HUNG WITH NAIL FIN 02.05.2015 VERSION 1.0

SCALE 1:3

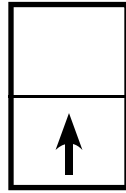
Our products are tested to the standards of and certified by the American Architectural Manufacturer's Association, the National Fenestration Rating Council and the Window & Door Manufacturers Association.



QUAKER
COMMERCIAL WINDOWS AND DOORS



QUAKER
COMMERCIAL WINDOWS AND DOORS

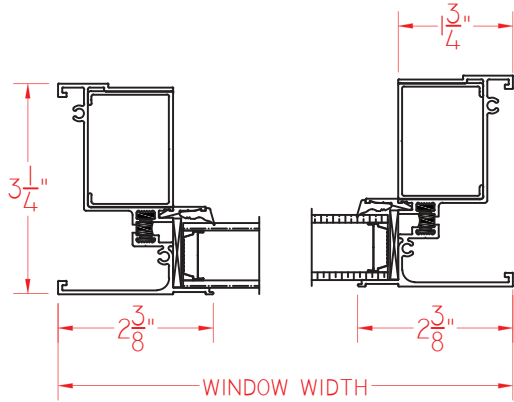


Traditional
SERIES

**T300 Series
HC40
3 1/4" Frame Depth
Single Hung**

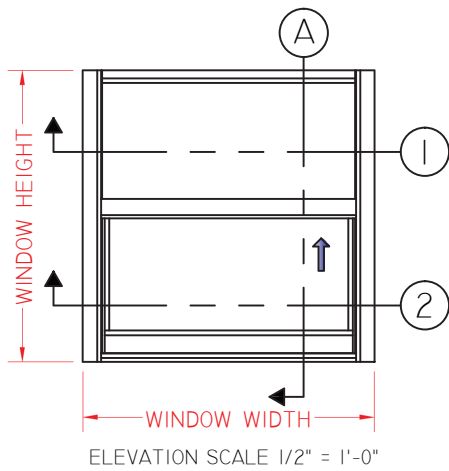
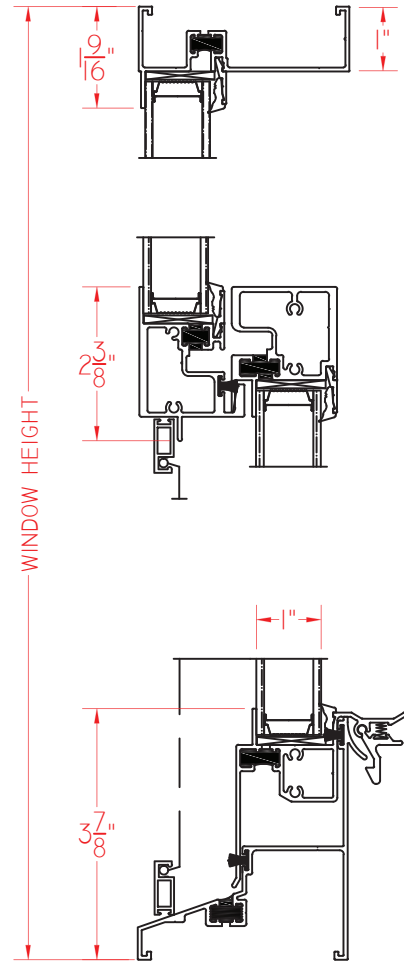
T300 SH WITHOUT NAILING FIN

This document contains confidential and proprietary information intended for the private use of Quaker.
© 2016 Quaker Window Products Co., INC. All rights reserved.
Quaker reserves the right to change any/all designs without notice. Due to periodic re-certification requirements, result shown may vary.

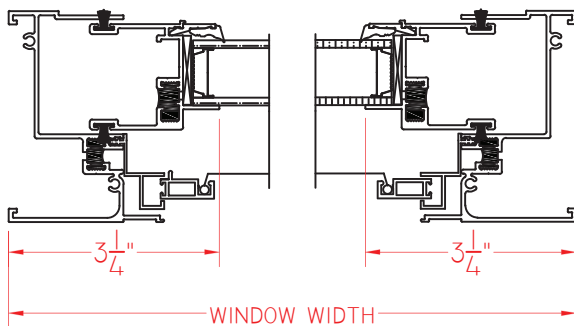


① HORIZONTAL CROSS SECTION

Ⓐ VERTICAL CROSS SECTION



② HORIZONTAL CROSS SECTION



T300 SINGLE HUNG 02.05.2015 VERSION 1.0

SCALE 1:3

Our products are tested to the standards of and certified by the American Architectural Manufacturer's Association, the National Fenestration Rating Council and the Window & Door Manufacturers Association.



QUAKER
COMMERCIAL WINDOWS AND DOORS