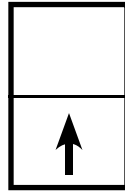




**QUAKER**  
COMMERCIAL WINDOWS AND DOORS



 Traditional  
SERIES

**T500 Series**  
**AW-PG50**  
**3 1/4" Frame Depth**  
**Single Hung**

## T500 SERIES SINGLE HUNG

The Quaker Traditional T500 Series Single Hung window is ideal for a variety of applications including - Institutions, Education, Apartments and Assisted Living.

### FEATURES

- ◇ **Commercial Framing System**
  - 3 1/4" main frame
  - 0.062" wall thickness of frame and sash
- ◇ **Thermally Enhanced Design**
  - Azon pour and debridge thermal break is 1/2" wide in all main frame and vent rail extrusions
  - Double fin-type weatherstripping
  - Full width lift handles
- ◇ **Glazing**
  - 1" insulated glass
- ◇ **Hardware**
  - Block and tackle balancers
  - Gravity latch
- ◇ **Screen**
  - Extruded aluminum screen frame with BetterVue™ mesh

### BENEFITS

- ◇ The capacity to match exterior colors for unique project facades
- ◇ The ability to facilitate large sizes for taller and wider window openings

### PERFORMANCE

- ◇ Structural & Thermal (test reports or thermal simulations available upon request)

Model	Single Hung
AAMA/WDMA/CSA 101/IS.2/A440-08 Rating	AW-PG50
Structural Load P.S.F.	75.19
Air at 50 MPH (cfm/ft <sup>2</sup> )	0.03
Water (No Penetration) P.S.F.	10.03
U-Value (with Low-E and Argon)	0.37 - 0.42
SHGC (with Low-E and Argon)	0.14 - 0.33

Window test size: 60" x 99"  
Operating Force: 19 lbf (maintain motion), 1 lbf (gravity latches)

### OPTIONS

- ◇ **Available Configurations**
  - Single hung
  - Oriel single hung
- ◇ **Muntin Choices**
  - Internal or simulated divided lites available
- ◇ **Hardware**
  - Class 5 balancers
  - Limited travel latch
- ◇ **Nailing Fin**
- ◇ **Screen**
  - Extruded aluminum screen frame with aluminum wire mesh
  - Extruded aluminum screen frame with sunscreen mesh
  - Extruded aluminum screen frame with stainless steel 0.009" thickness mesh
  - Security screen
- ◇ **Glazing**
  - Capillary tubes
  - Argon gas
  - Wide variety of glazing, tinting and thickness options
- ◇ **Panning & Trim Choices**
  - Wide variety of panning, receptor and trim available
- ◇ **Mulling**
  - Wide variety of structural mulls
- ◇ **Specialty**
  - Attached exterior or interior storm window
  - Extension jambs



Our products are tested to the standards of and certified by the American Architectural Manufacturer's Association, the National Fenestration Rating Council and the Window & Door Manufacturers Association.

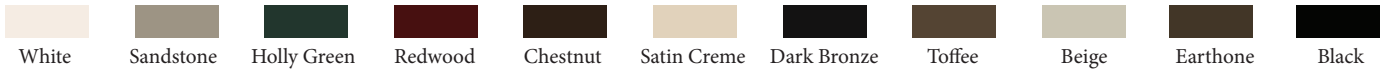


**QUAKER**  
COMMERCIAL WINDOWS AND DOORS

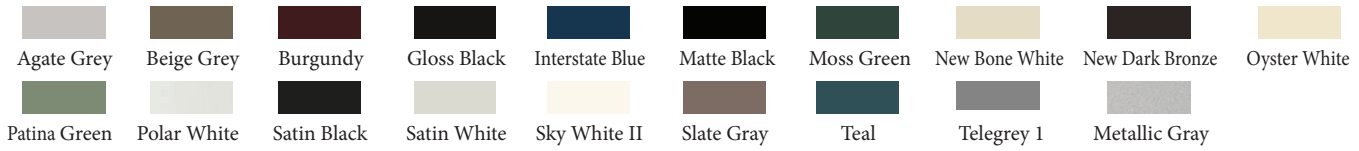
# ARCHITECTURAL PAINT COATINGS AND FINISHES

◇ Baked on powder coat finish meets ANSA/AAMA 2604 specs and is available in unlimited colors

- 11 Popular Colors



- 19 Impressive Colors



- 7 Resemble Colors (painted finish resembling anodized)



- Unlimited Custom Colors

\* Printed colors shown here may not accurately depict actual painted colors. Color samples are available upon request.

◇ ANSA/AAMA 2605 powder coat finishes

◇ AAMA 611-98 Class I clear and tinted anodized finishes

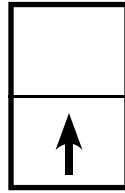
Our products are tested to the standards of and certified by the American Architectural Manufacturer's Association, the National Fenestration Rating Council and the Window & Door Manufacturers Association.



**QUAKER**  
COMMERCIAL WINDOWS AND DOORS



**QUAKER**  
COMMERCIAL WINDOWS AND DOORS

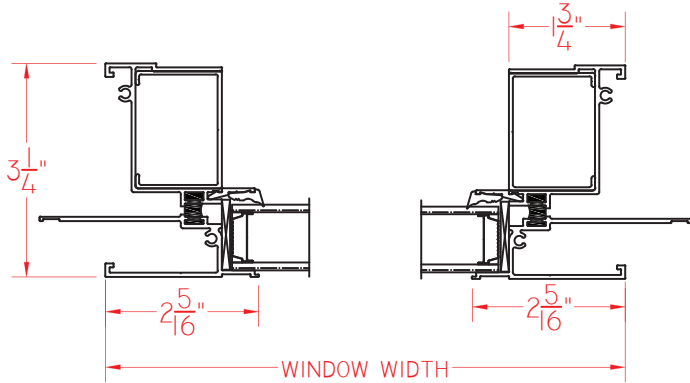


Traditional  
SERIES

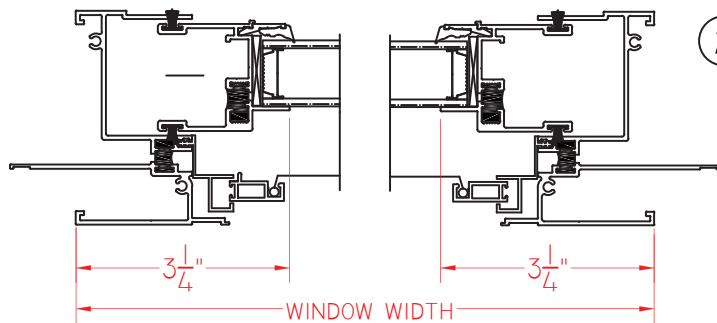
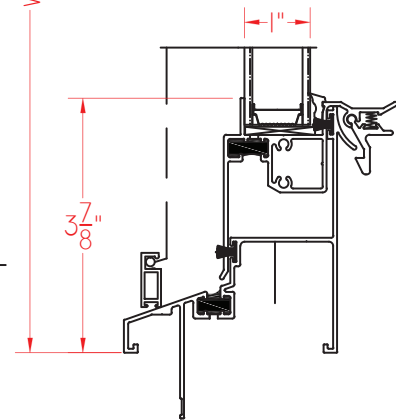
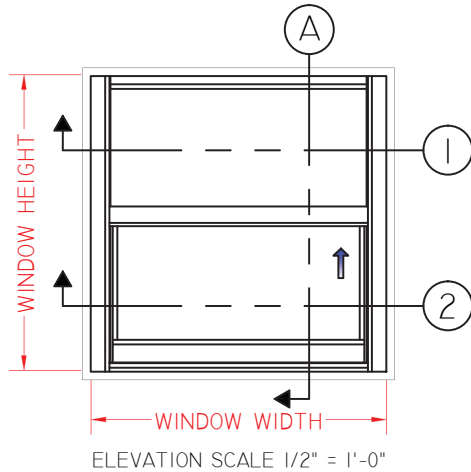
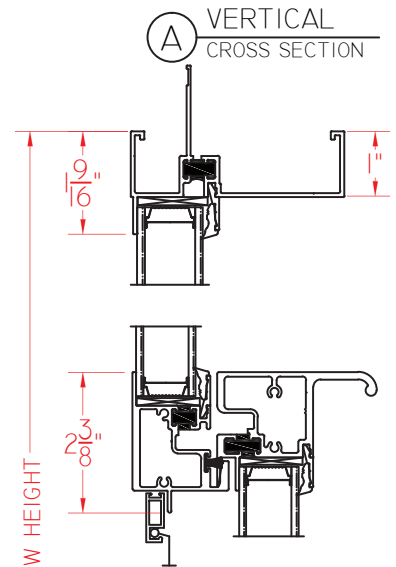
**T500 Series**  
**AW-PG50**  
**3 1/4" Frame Depth**  
**Single Hung**

# T500 SH WITH NAILING FIN

This document contains confidential and proprietary information intended for the private use of Quaker.  
© 2016 Quaker Window Products Co., INC. All rights reserved.  
Quaker reserves the right to change any/all designs without notice. Due to periodic re-certification requirements, result shown may vary.



① HORIZONTAL CROSS SECTION



② HORIZONTAL CROSS SECTION

T500-700 SINGLE HUNG WITH NAIL FIN 02.06.2015 VERSION 1.0

SCALE 1:3

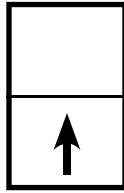
Our products are tested to the standards of and certified by the American Architectural Manufacturer's Association, the National Fenestration Rating Council and the Window & Door Manufacturers Association.



**QUAKER**  
COMMERCIAL WINDOWS AND DOORS



**QUAKER**  
COMMERCIAL WINDOWS AND DOORS

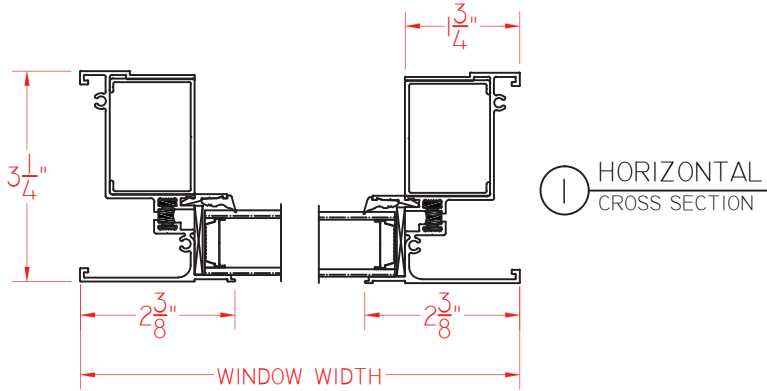


Traditional  
SERIES

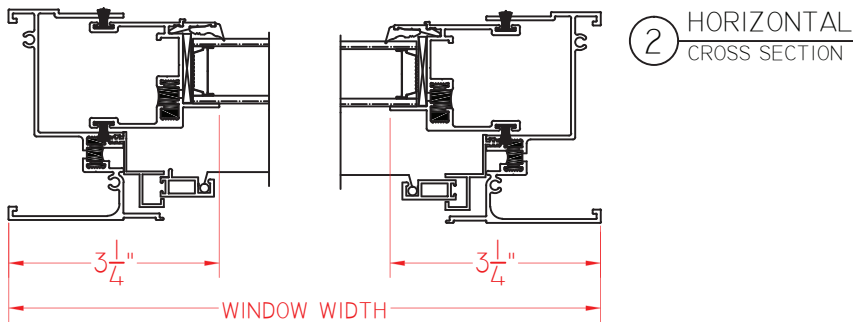
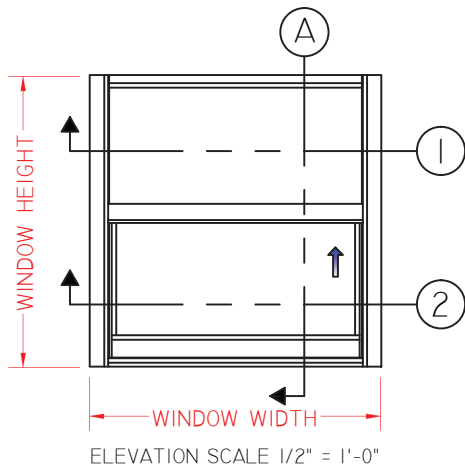
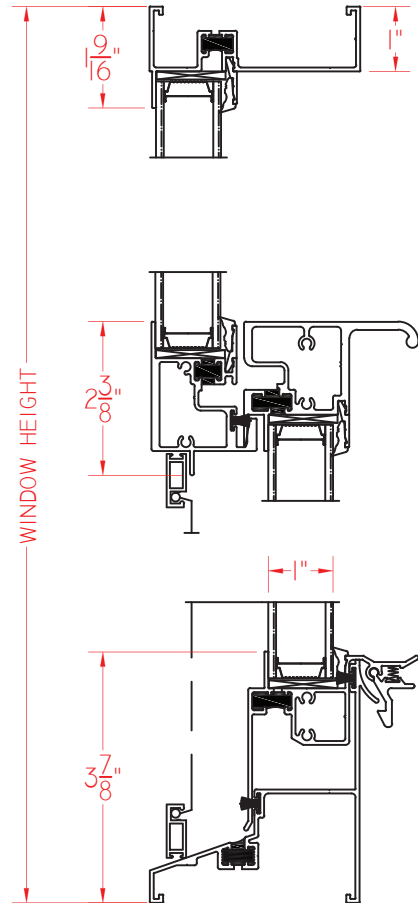
**T500 Series**  
**AW-PG50**  
**3 1/4" Frame Depth**  
**Single Hung**

# T500 SH WITHOUT NAILING FIN

This document contains confidential and proprietary information intended for the private use of Quaker.  
© 2016 Quaker Window Products Co., INC. All rights reserved.  
Quaker reserves the right to change any/all designs without notice. Due to periodic re-certification requirements, result shown may vary.



Ⓐ VERTICAL CROSS SECTION



T500-700 SINGLE HUNG 02.06.2015 VERSION 1.0

SCALE 1:3

Our products are tested to the standards of and certified by the American Architectural Manufacturer's Association, the National Fenestration Rating Council and the Window & Door Manufacturers Association.



**QUAKER**  
COMMERCIAL WINDOWS AND DOORS