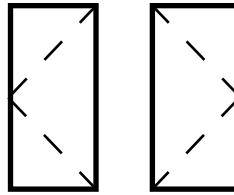




**QUAKER**  
COMMERCIAL WINDOWS AND DOORS



 Traditional  
SERIES

**T600 Series**  
**AW-PG70**  
**3 1/4" Frame Depth**  
**Casement**

## T600 SERIES CASEMENT

The Quaker Traditional T600 Series Picture window is ideal for a variety of applications including - Institutions, Education, Apartments and Assisted Living.

### FEATURES

- ◇ **Commercial Framing System**
  - 3 1/4" main frame
  - 0.094" wall thickness of interior and exterior walls, 0.078" wall thickness elsewhere
- ◇ **Thermally Enhanced Design**
  - Azon pour and debridge thermal break is 1/2" wide in all main frame and vent rail extrusions
  - Assembled with heavy duty Monticelli cast aluminum corner keys
  - Mitered and pressure sealed internally with injected silicone through corner key passages. Wrap-around marine glazing
- ◇ **Glazing**
  - 1" insulated glass
- ◇ **Hardware**
  - Butt hinges, 4-Bar hinges and Euro hinges available on both project-out and project-in windows
  - Heavy-commercial Truth Contour™ locking system (Crank-out only)
  - Heavy-commercial Truth Contour™ multipoint lock with push handle (no crank hardware)
  - Low profile cam handle (Push-out and Pull-in only)
  - Pole Operated handle (Push-out and Pull-in only)
  - Custodial lock (Pull-in only)
  - Custodial lock with removable handle (Push-out only)
- ◇ **Screen**
  - Wicket sreet (Push-out only)
  - Extruded aluminum screen frame with BetterVue™ mesh (Crank-out only)
- ◇ **Meets ADA Requirements (ADA Handle Required, Crank-out only)**

### BENEFITS

- ◇ The capacity to match exterior colors for unique project facades
- ◇ The ability to facilitate large sizes for taller and wider window openings

### OPTIONS

- ◇ **Available Configurations**
  - Project-out and Project-in casement
  - Push-out, Crank-out or Pull-in
  - Wire frame capabilities
- ◇ **Muntin Choices**
  - Internal or simulated divided lites available
- ◇ **Limited Travel Hardware**
- ◇ **Nailing Fin**
- ◇ **Screen**
  - Extruded aluminum screen frame with aluminum wire mesh
  - Extruded aluminum screen frame with sunscreen mesh
  - Extruded aluminum screen frame with stainless steel 0.009" thickness mesh
- ◇ **Glazing**
  - Capillary tubes
  - Argon gas
  - Optional glazing stop to accept 1 3/8" (triple) glazing
  - Wide variety of glazing, tinting and thickness options
- ◇ **Panning & Trim Choices**
  - Wide variety of panning, receptor and trim available
- ◇ **Mulling**
  - Wide variety of structural mulls

### PERFORMANCE

- ◇ Structural & Thermal (test reports or thermal simulations available upon request)

Model	Casement (Project-Out)	Casement (Project-In)
AAMA/WDMA/CSA 101/I.S.2/A440-08 Rating	AW-PG70	
Structural Load P.S.F.	105.26	
Air at 50 MPH (cfm/ft <sup>2</sup> )	0.01	
Water (No Penetration) P.S.F.	12.11	
U-Value (with Low-E and Argon)	0.41-0.45	0.42-0.45
SHGC (with Low-E and Argon)	0.12-0.27	0.12-0.26

Window test size: 36" x 60"

Operating Force: 9 lbf (project-out casement), 14 lbf (project-in casement), 3 lbf (ADA Handle maintain motion), 3 lbf (ADA Handle lock)

Our products are tested to the standards of and certified by the American Architectural Manufacturer's Association, the National Fenestration Rating Council and the Window & Door Manufacturers Association.

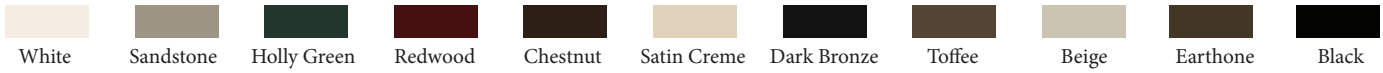


**QUAKER**  
COMMERCIAL WINDOWS AND DOORS

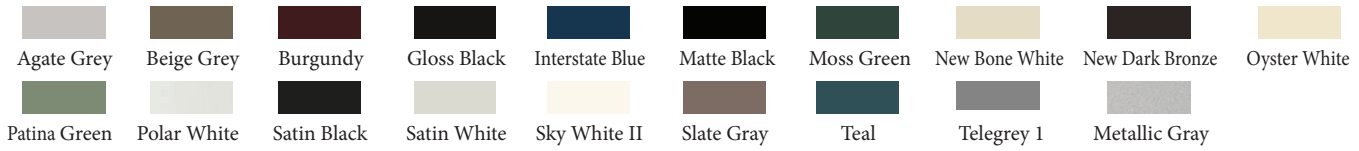
# ARCHITECTURAL PAINT COATINGS AND FINISHES

◇ Baked on powder coat finish meets ANSA/AAMA 2604 specs and is available in unlimited colors

- 11 Popular Colors



- 19 Impressive Colors



- 7 Resemble Colors (painted finish resembling anodized)



- Unlimited Custom Colors

\* Printed colors shown here may not accurately depict actual painted colors. Color samples are available upon request.

◇ ANSA/AAMA 2605 powder coat finishes

◇ AAMA 611-98 Class I clear and tinted anodized finishes



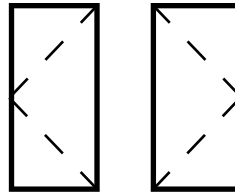
Our products are tested to the standards of and certified by the American Architectural Manufacturer's Association, the National Fenestration Rating Council and the Window & Door Manufacturers Association.



**QUAKER**  
COMMERCIAL WINDOWS AND DOORS



**QUAKER**  
COMMERCIAL WINDOWS AND DOORS

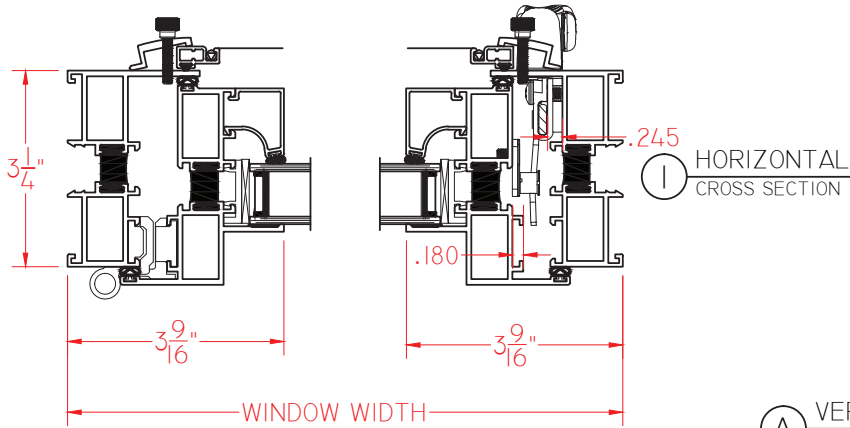


Traditional  
SERIES

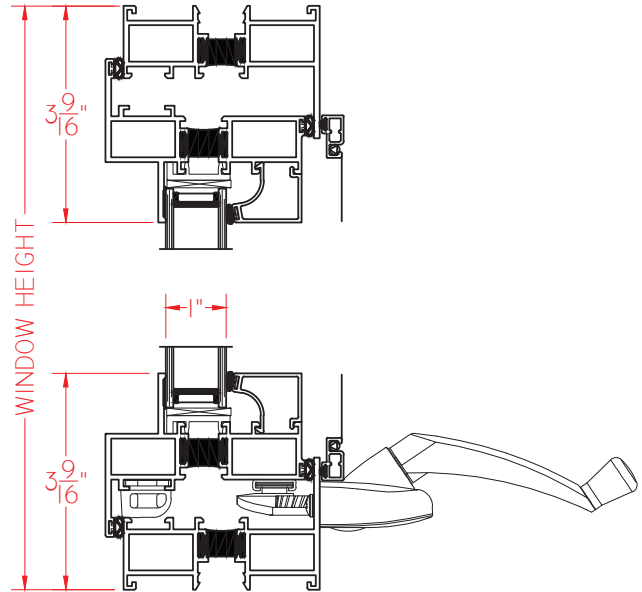
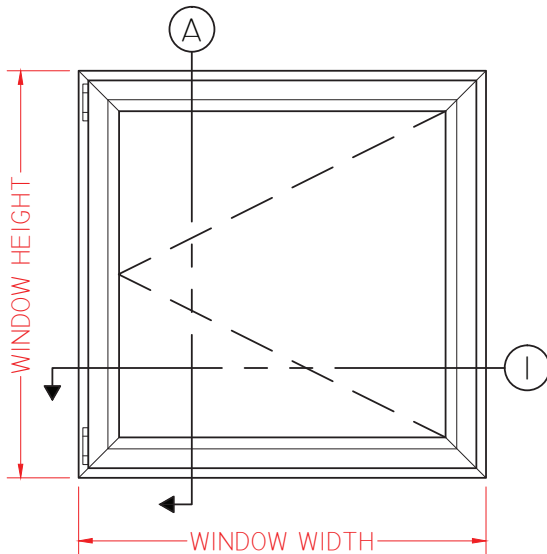
**T600 Series**  
**AW-PG70**  
**3 1/4" Frame Depth**  
**Casement**

# T600 OUTSWING CASEMENT CRANK OUT

This document contains confidential and proprietary information intended for the private use of Quaker.  
© 2016 Quaker Window Products Co., INC. All rights reserved.  
Quaker reserves the right to change any/all designs without notice. Due to periodic re-certification requirements, result shown may vary.



**VERTICAL CROSS SECTION**



SCALE 1:3

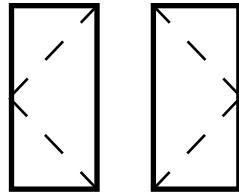
Our products are tested to the standards of and certified by the American Architectural Manufacturer's Association, the National Fenestration Rating Council and the Window & Door Manufacturers Association.



**QUAKER**  
COMMERCIAL WINDOWS AND DOORS



**QUAKER**  
COMMERCIAL WINDOWS AND DOORS

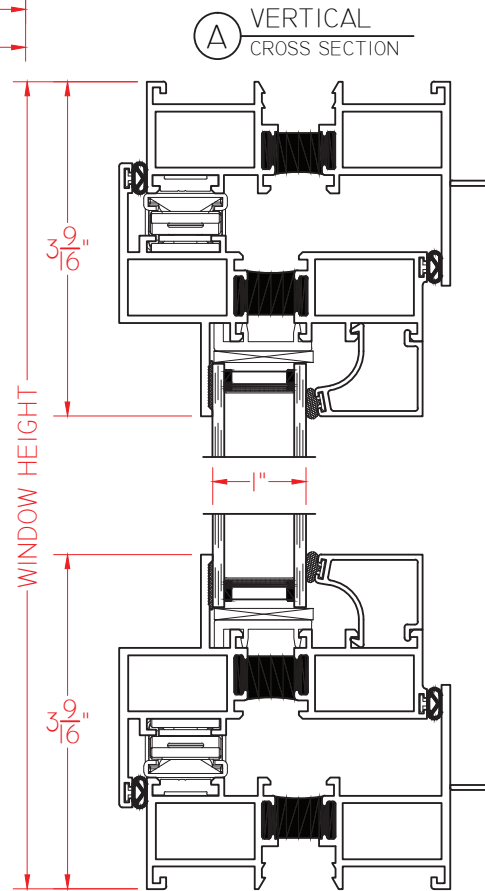
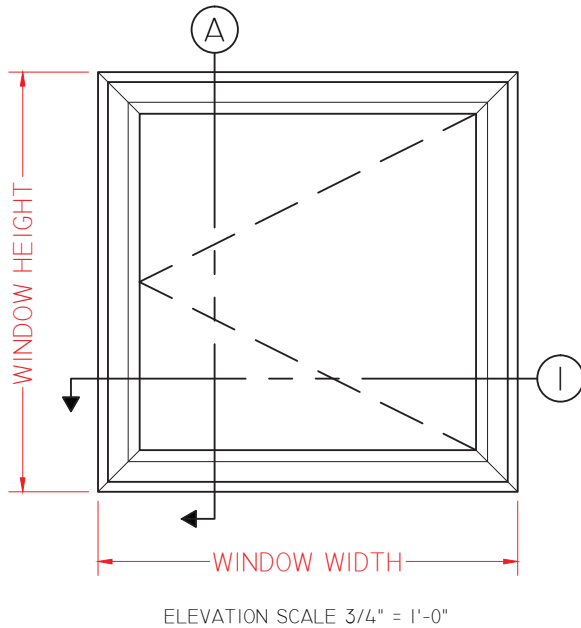
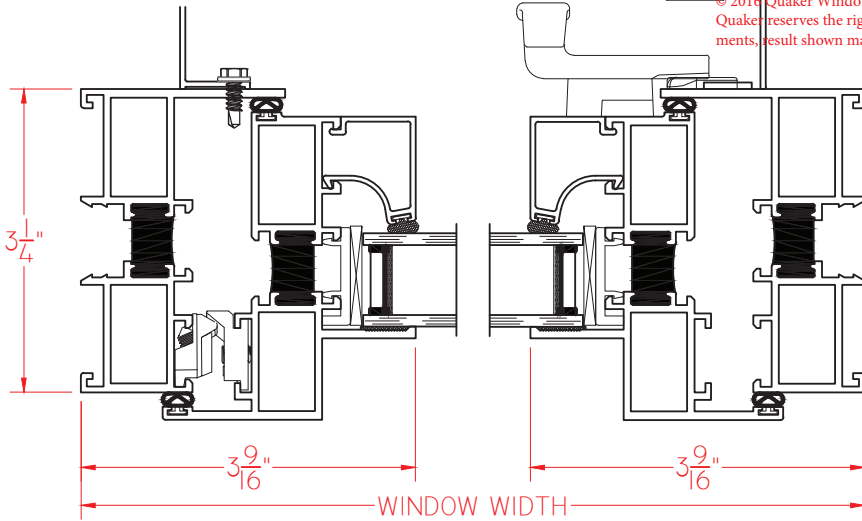


Traditional  
SERIES

**T600 Series**  
**AW-PG70**  
**3 1/4" Frame Depth**  
**Casement**

# T600 OUTSWING CASEMENT PUSH OUT

This document contains confidential and proprietary information intended for the private use of Quaker.  
© 2016 Quaker Window Products Co., INC. All rights reserved.  
Quaker reserves the right to change any/all designs without notice. Due to periodic re-certification requirements, result shown may vary.



SCALE 1:2

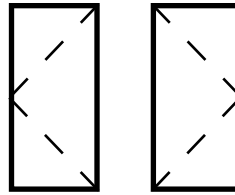
Our products are tested to the standards of and certified by the American Architectural Manufacturer's Association, the National Fenestration Rating Council and the Window & Door Manufacturers Association.



**QUAKER**  
COMMERCIAL WINDOWS AND DOORS



**QUAKER**  
COMMERCIAL WINDOWS AND DOORS

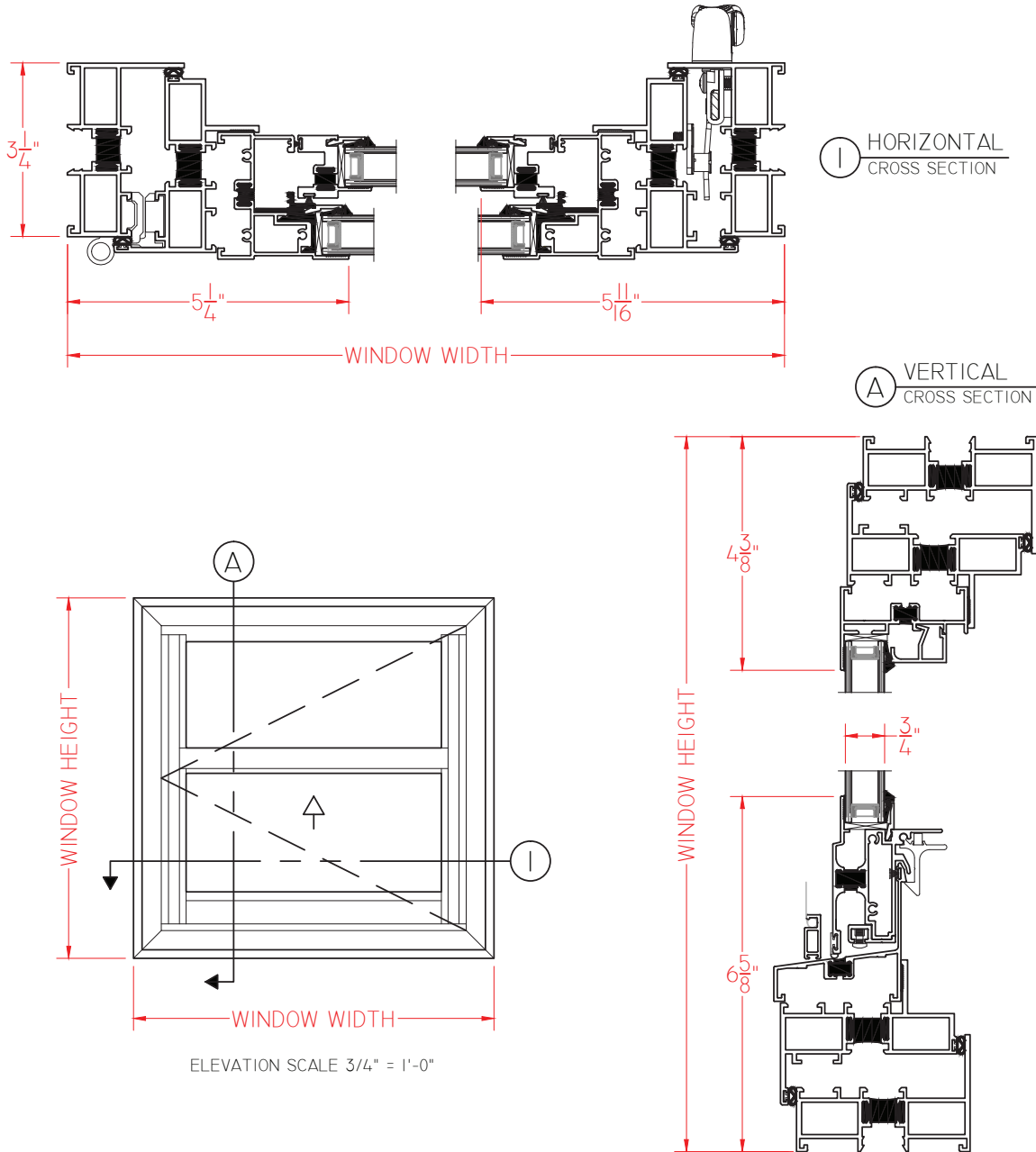


Traditional  
SERIES

**T600 Series**  
**AW-PG70**  
**3 1/4" Frame Depth**  
**Casement**

# T600 OUTSWING CASEMENT PUSH OUT EGRESS

This document contains confidential and proprietary information intended for the private use of Quaker.  
© 2016 Quaker Window Products Co., INC. All rights reserved.  
Quaker reserves the right to change any/all designs without notice. Due to periodic re-certification requirements, result shown may vary.



SCALE 1:3

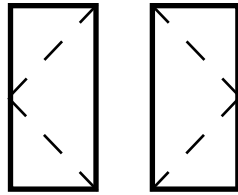
Our products are tested to the standards of and certified by the American Architectural Manufacturer's Association, the National Fenestration Rating Council and the Window & Door Manufacturers Association.



**QUAKER**  
COMMERCIAL WINDOWS AND DOORS



**QUAKER**  
COMMERCIAL WINDOWS AND DOORS

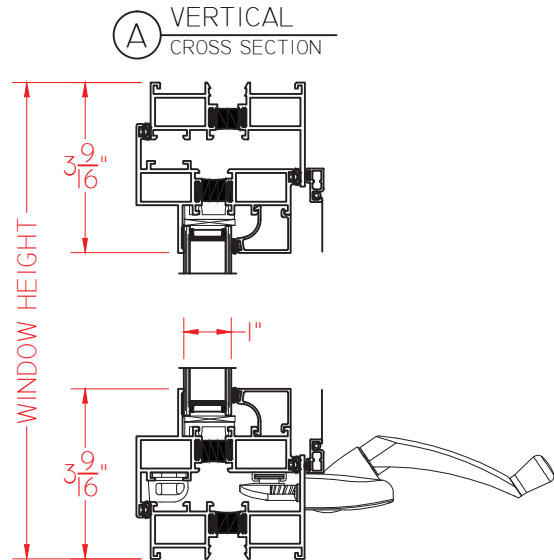
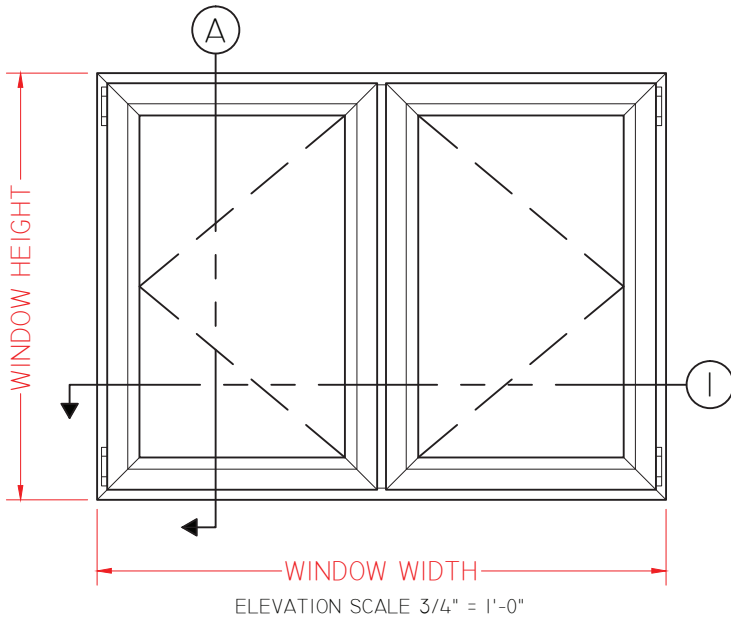
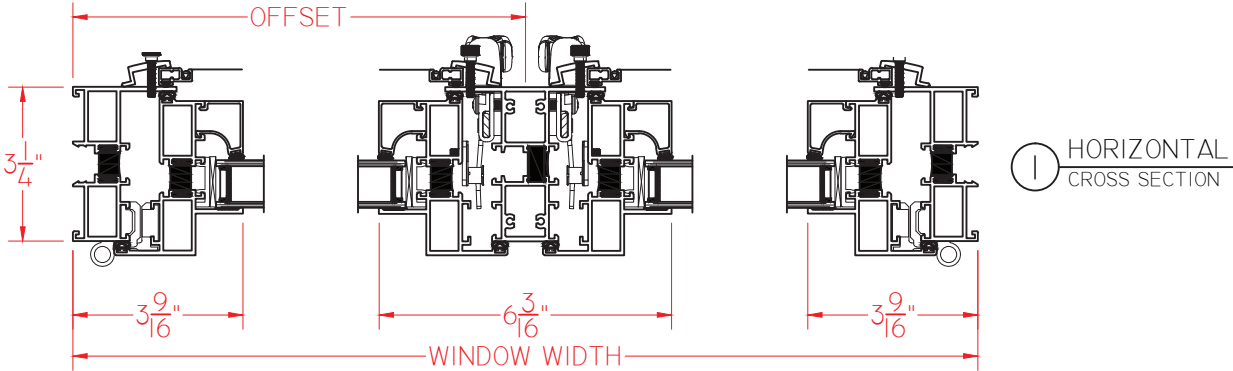


Traditional  
SERIES

**T600 Series  
AW-PG70  
3 1/4" Frame Depth  
Casement**

# T600 OUTSWING CASEMENT/CASEMENT

This document contains confidential and proprietary information intended for the private use of Quaker.  
© 2016 Quaker Window Products Co., INC. All rights reserved.  
Quaker reserves the right to change any/all designs without notice. Due to periodic re-certification requirements, result shown may vary.



SCALE 1:4

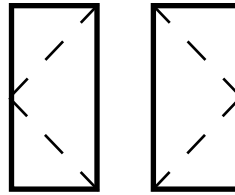
Our products are tested to the standards of and certified by the American Architectural Manufacturer's Association, the National Fenestration Rating Council and the Window & Door Manufacturers Association.



**QUAKER**  
COMMERCIAL WINDOWS AND DOORS



**QUAKER**  
COMMERCIAL WINDOWS AND DOORS

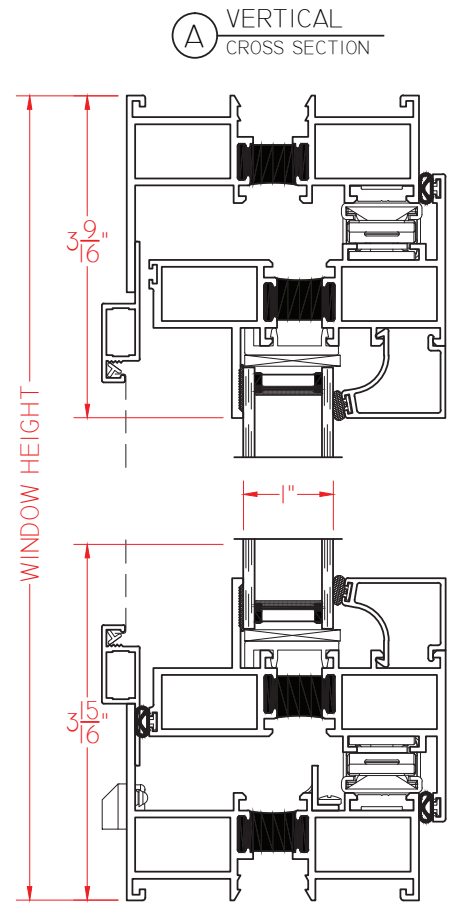
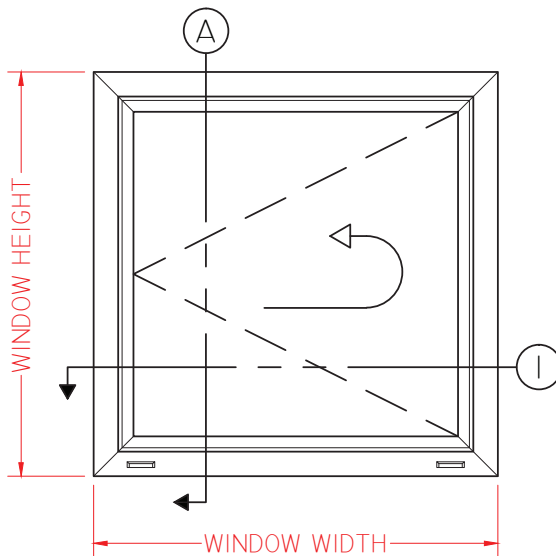
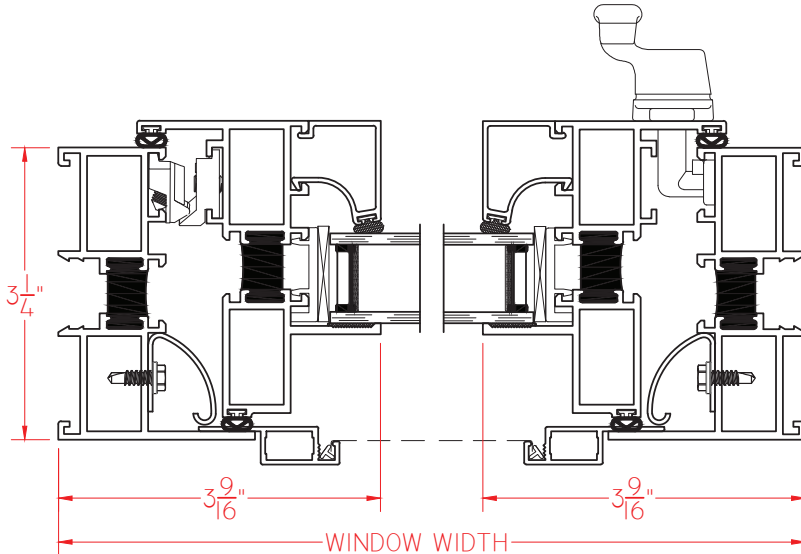


Traditional  
SERIES

**T600 Series**  
**AW-PG70**  
**3 1/4" Frame Depth**  
**Casement**

# T600 INSWING CASEMENT

This document contains confidential and proprietary information intended for the private use of Quaker.  
© 2016 Quaker Window Products Co., INC. All rights reserved.  
Quaker reserves the right to change any/all designs without notice. Due to periodic re-certification requirements, result shown may vary.



SCALE 1:2

Our products are tested to the standards of and certified by the American Architectural Manufacturer's Association, the National Fenestration Rating Council and the Window & Door Manufacturers Association.



**QUAKER**  
COMMERCIAL WINDOWS AND DOORS