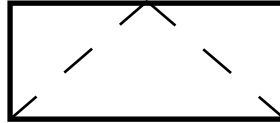




QUAKER
COMMERCIAL WINDOWS AND DOORS



**V300 Series
CW-50
3 1/4" Frame Depth
Awning (Project-Out)**

V300 SERIES AWNING (PROJECT-OUT)

The Quaker V300 Series Awning window is ideal for a variety of applications including - Energy Efficient, Apartments, Assisted Living and Housing Authority.

FEATURES

- ◇ **Commercial Framing System**
 - 3 1/4" main frame
- ◇ **Enhanced Design**
 - Mitered and welded corners
- ◇ **Glazing**
 - 1" insulated glass
- ◇ **Integral Nailing Fin**
- ◇ **Hardware**
 - Multi-point locking system with fold-down handle to avoid interference with window blinds
 - Heavy commercial 4-bar arms
 - Low profile flat lock
- ◇ **Screen**
 - Extruded aluminum screen frame with BetterVue™ mesh

OPTIONS

- ◇ **Available Configurations**
 - Project-out awning
- ◇ **Muntin Choices**
 - Internal or simulated divided lites available
- ◇ **Limited Travel Hardware**
- ◇ **Screen**
 - Extruded aluminum screen frame with aluminum wire mesh
 - Extruded aluminum screen frame with sunscreen mesh
 - Extruded aluminum screen frame with stainless steel 0.009" thickness mesh
- ◇ **Glazing**
 - Capillary tubes
 - Argon gas
- ◇ **Panning & Trim Choices**
 - Wide variety of panning, receptor and trim available
- ◇ **Mulling**
 - Wide variety of structural mulls

BENEFITS

- ◇ The capacity to match exterior colors for unique project facades
- ◇ The ability to facilitate large sizes for taller and wider window openings

PERFORMANCE

- ◇ Structural & Thermal (test reports or thermal simulations available upon request)

Model	Awning (Project-Out)
AAMA/WDMA/CSA 101/I.S.2/A440-08 Rating	CW-50
Structural Load P.S.F.	75.19
Air at 50 MPH (cfm/ft ²)	0.01
Water (No Penetration) P.S.F.	7.5
U-Value (with Low-E and Argon)	0.23-0.27
SHGC (with Low-E and Argon)	0.11-0.27

Window test size: 60" x 32", 32" x 60"



Our products are tested to the standards of and certified by the American Architectural Manufacturer's Association, the National Fenestration Rating Council and the Window & Door Manufacturers Association.



QUAKER
COMMERCIAL WINDOWS AND DOORS

VINYL COLORS AND ARCHITECTURAL EXTERIOR PAINT COATINGS AND FINISHES

◇ Solid Vinyl Colors (interior & exterior)



White



Sandstone



Beige

◇ Optional Painted Colors (exterior only)



Holly Green



Redwood



Chestnut



Satin Creme



Dark Bronze



Toffee



Earthone



Black



White



Sandston



Beige

◇ Optional Unlimited Custom Painted Colors (exterior only)



* Printed colors shown here may not accurately depict actual vinyl or painted colors. Color samples are available upon request.

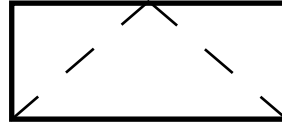
Our products are tested to the standards of and certified by the American Architectural Manufacturer's Association, the National Fenestration Rating Council and the Window & Door Manufacturers Association.



QUAKER
COMMERCIAL WINDOWS AND DOORS



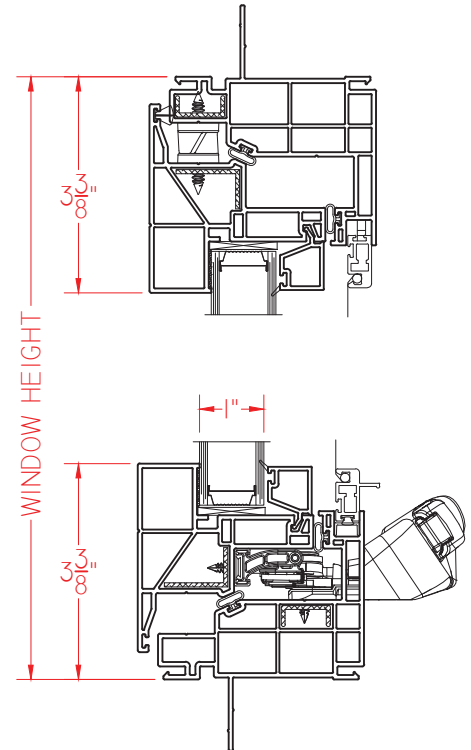
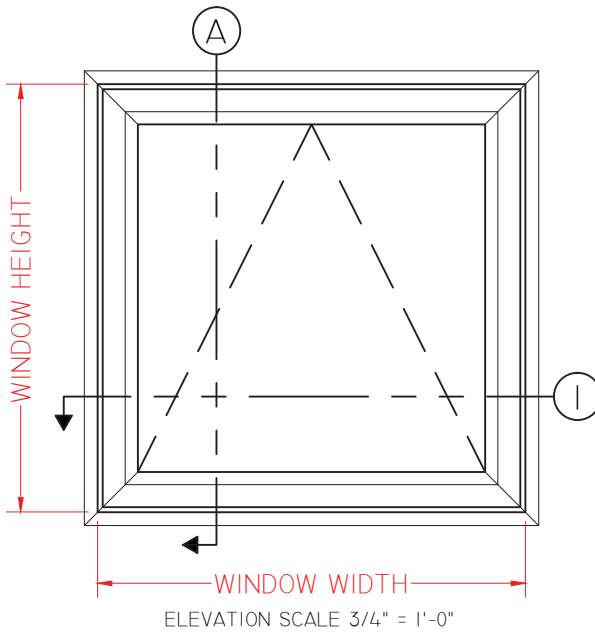
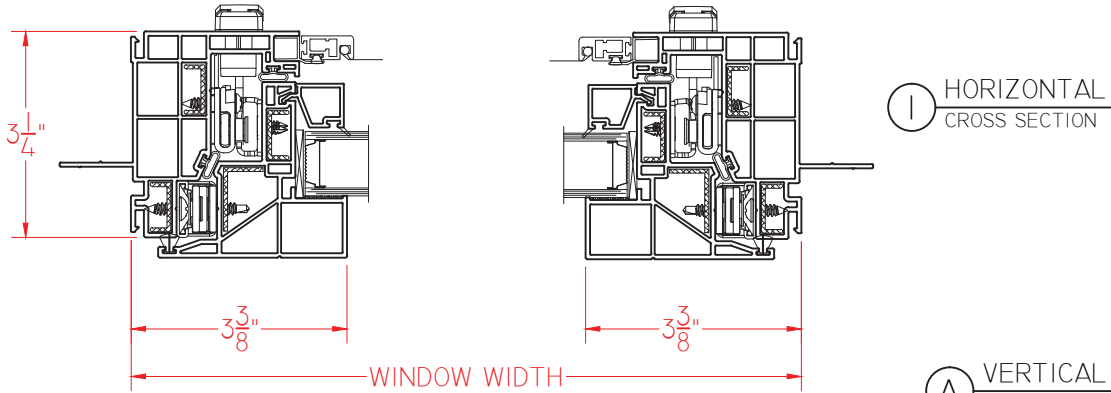
QUAKER
COMMERCIAL WINDOWS AND DOORS



**V300 Series
CW-50
3 1/4" Frame Depth
Awning (Project-Out)**

V300 AWN

This document contains confidential and proprietary information intended for the private use of Quaker.
© 2016 Quaker Window Products Co., INC. All rights reserved.
Quaker reserves the right to change any/all designs without notice. Due to periodic re-certification requirements, result shown may vary.



V300 AWNING 01.21.2016 VERSION I

SCALE 1:3

Our products are tested to the standards of and certified by the American Architectural Manufacturer's Association, the National Fenestration Rating Council and the Window & Door Manufacturers Association.



QUAKER
COMMERCIAL WINDOWS AND DOORS