



BRIGHTON SERIES TELESCOPING PATIO DOOR



Features and Benefits

- Stacking and pocket configurations
 - Stacking telescoping door systems stack all panels in line with the stack stationary panel when the panels are in the fully-open position; in the stacking configuration, all panels are still visible
 - Pocketed telescoping door systems incorporate a pocket in the wall cavity to conceal all panels when they are in the fully-open position; in the pocketed configuration, all panels are hidden in the pocket
- Single-direction handing; all panels operate either all-left or all-right
- Door jamb width varies depending on the number of panels in the telescoping system
- One panel (pocket only) to eight panel configurations with maximum overall 20'0" frame width
- Main frame head and sill use dark bronze anodized aluminum extrusions
- Folding aluminum nailing fins applied
- Heavy-duty interlock improves air and structural performance
- Panels slide on two tandem, heavy-duty, end-adjustable ball bearing rollers for years of smooth, trouble-free operation

Glazing

- 3/4" tempered insulated glass standard; tinted, obscure, and laminated glass available
- Interior stop glazed with silicone

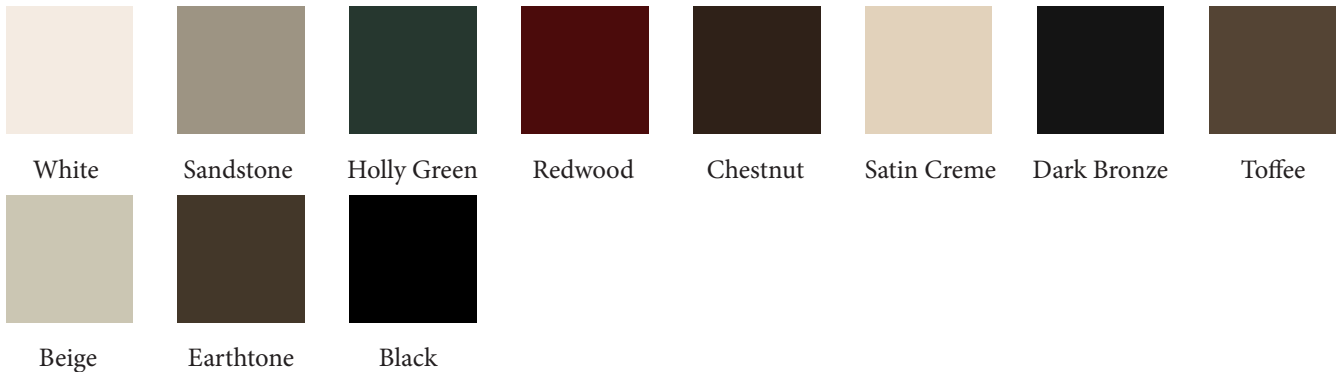
Interior

- Pine standard, Knotty Alder optional
- Primed and pre-finished interior available

Exterior

Doors standard with heavy-duty extruded aluminum cladding. All colors are painted in-house with our highly durable AAMA 2604 standard finish, or upgrade to AAMA 2605 for the most challenging of environments.

- 11 Popular Colors



- 19 Impressive Colors



- 7 Resembles Colors



- Unlimited Custom Colors

Muntins

- Flat muntin between glass (MBG)
 - 5/8", 3/4", 1"
- Contoured MBG 3/4"
- Simulated divided lite (SDL)
 - Beveled 7/8", 1 1/4", 2"
 - Pyramid 7/8"
- Flat two tone MBG
 - 5/8", 3/4"
- Contoured two tone MBG 3/4"
- Standard and custom muntin patterns and configurations available

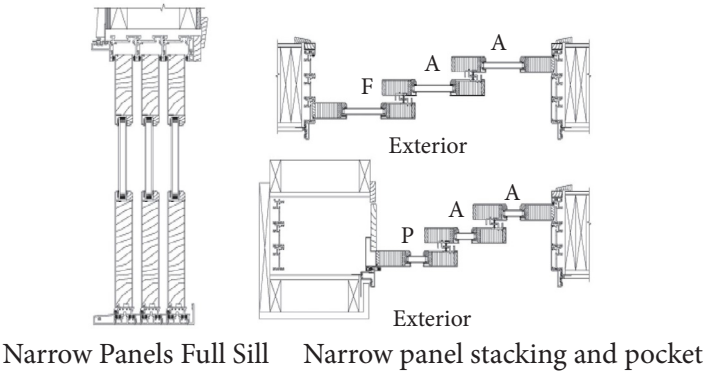
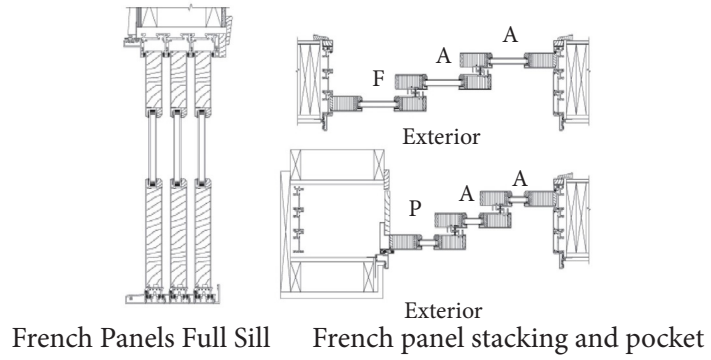
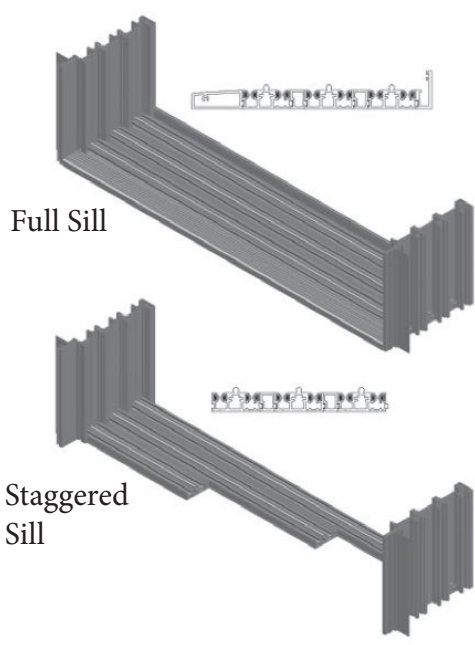
Hardware

- End-adjustable roller system
- Two-point locking gear and keeper
- Flush-mounted handles standard on pocket and stacking door systems; available in oil rubbed bronze, faux bronze, black and brushed nickel finishes
- Flush-mounted handles are standard with a keyed lock
- All panels standard with brushed nickel finger pull located at the edge of the lead operating panel

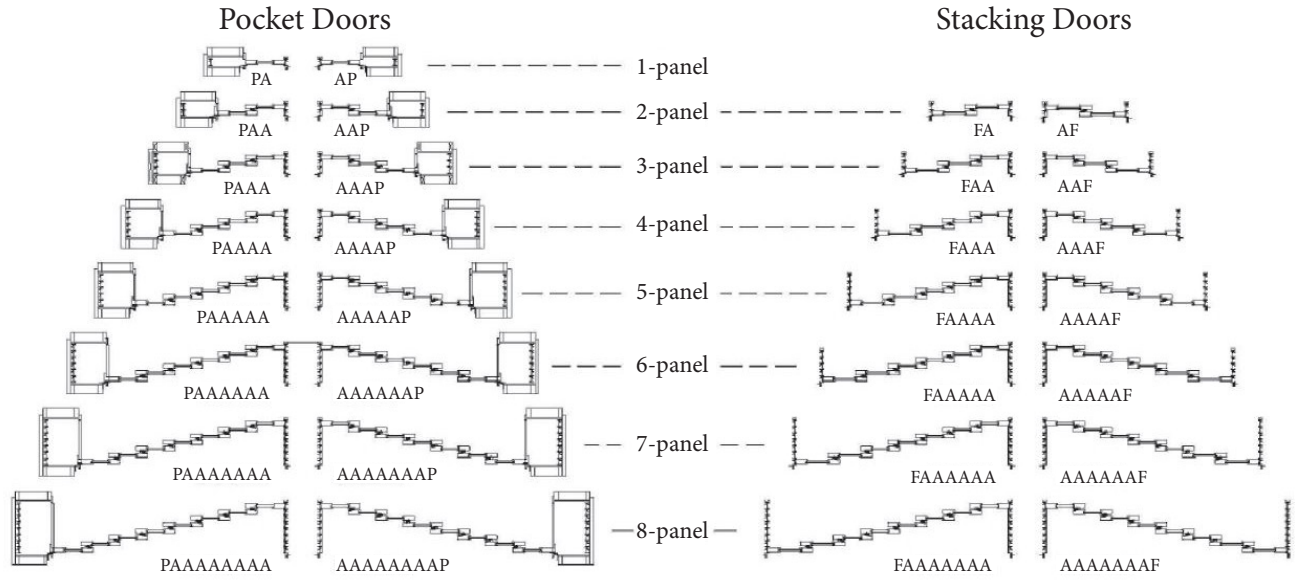


Sill

- Full sill with exterior sill nose and interior riser
- Staggered sill for “flush floor” installation (NOTE: When using the staggered sill option for a flush track application, there is no interior sill riser to prevent the potential of water infiltration through the sill. Therefore, an interior mop zone is recommended when using the staggered sill option.)



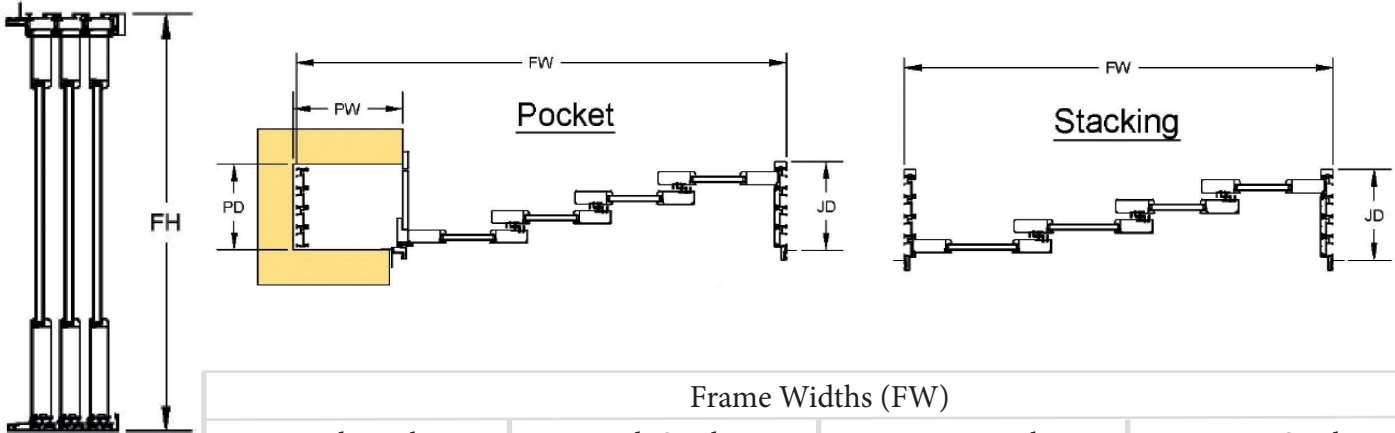
Door Configurations and Handings



Specifications

Panel Thickness	Maximum Panel Width	Maximum Panel Height	Max. Number of Panels	Maximum Frame Width	Maximum Frame Height	Panel Thickness
1 3/4"	4-0 (47 3/4")	French: 10-0 (116 1/2") Narrow: 8-0 (92 1/2")	8	20-0	10-0 (119 1/8")	Equal to door frame height

Frame and Dimensional Information



Callout Size	Frame Widths (FW)											
	French Pocket			French Stacking			Narrow Pocket			Narrow Stacking		
Panel Size	29.75	35.75	47.75	29.75	35.75	47.75	29.75	35.75	47.75	29.75	35.75	47.75
Glass Size	21.25	27.25	39.25	21.25	27.25	39.25	25	31	43	25	31	43
1 Panel	63.625	75.625	99.625	N/A	N/A	N/A	63.625	75.625	99.625	N/A	N/A	N/A
2 Panels	88.688	106.688	142.688	57.063	69.063	93.063	90.688	108.688	144.688	59.063	71.063	95.063
3 Panels	113.75	137.75	185.75	82.125	100.125	136.125	117.75	141.75	189.75	86.125	104.125	140.125
4 Panels	138.813	168.813	228.813	107.188	131.188	179.188	144.813	174.813	234.813	113.188	137.188	185.188
5 Panels	163.875	199.875	271.875	132.25	162.25	222.25	171.875	207.875	279.875	140.25	170.25	230.25
6 Panels	188.938	230.938	N/A	157.313	193.313	N/A	198.938	240.938	N/A	167.313	203.313	N/A
7 Panels	214	262	N/A	182.375	224.375	N/A	226	274	N/A	194.375	236.375	N/A
8 Panels	239.063	N/A	N/A	207.438	N/A	N/A	253.063	N/A	N/A	221.438	N/A	N/A

Callout Size	Pocket Widths (PW)						Jamb Depth (JD)	Pocket Depth (PD)
	French Pocket			Narrow Pocket			Narrow Pocket	Narrow Stacking
Panel Size	29.75	35.75	47.75	29.75	35.75	47.75	All Types and Sizes	All Types and Sizes
Glass Size	21.25	27.25	39.25	25	31	43		
1 Panel	32.375	38.375	50.375	32.375	38.375	50.375	4.125	3.5
2 Panels	32.375	38.375	50.375	32.375	38.375	50.375	6.625	6
3 Panels	32.375	38.375	50.375	32.375	38.375	50.375	9.125	8.5
4 Panels	32.375	38.375	50.375	32.375	38.375	50.375	11.625	11
5 Panels	32.375	38.375	50.375	32.375	38.375	50.375	14.125	13.5
6 Panels	32.375	38.375	N/A	32.375	38.375	N/A	16.625	16
7 Panels	32.375	38.375	N/A	32.375	38.375	N/A	19.125	18.5
8 Panels	32.375	N/A	N/A	32.375	N/A	N/A	21.625	21

Frame Heights (FH)					
Callout Size	6-8	6-10	8-0	9-0	10-0
Panel Size	76.5	79.5	92.5	104.5	116.5
Glass (Narrow)	71.75	74.75	87.75	N/A	N/A
Glass (French)	64	67	80	92	104
Frame Height	79.125	82.125	95.125	100.125	119.125