



**QUAKER**  
COMMERCIAL WINDOWS AND DOORS



**Brighton Series**  
**LC-50, C-50, R-50**  
**6" Frame Depth**  
**Picture Window (Fixed)**

## BRIGHTON SERIES PICTURE WINDOW (FIXED)

The Quaker Brighton Series Picture window is ideal for a variety of applications including - Energy Efficient, Apartments, Assisted Living and Housing Authority.

### FEATURES

- ◇ **Commercial Framing System**
  - 6" main frame
- ◇ **Enhanced Design**
  - Extruded clad exterior, pine interior
- ◇ **Glazing**
  - ¾" insulated glass

### BENEFITS

- ◇ The capacity to match exterior colors for unique project facades
- ◇ The ability to facilitate large sizes for taller and wider window openings

### OPTIONS

- ◇ **Available Configurations**
  - Picture window
  - Geometric shapes
- ◇ **Muntin Choices**
  - Internal or simulated divided lites available
- ◇ **Nailing Fin**
- ◇ **Glazing**
  - Capillary tubes
  - Argon gas
  - Wide variety of glazing, tinting and thickness options
- ◇ **Panning & Trim Choices**
  - Wide variety of panning, receptor and trim available
- ◇ **Mulling**
  - Wide variety of structural mulls

### PERFORMANCE

- ◇ Structural & Thermal (test reports or thermal simulations available upon request)

Model	Casement Picture Window	Hung Picture Window	Direct Set
AAMA/WDMA/CSA 101/I.S.2/A440-08 Rating	LC-50	C-50	R-50
Structural Load P.S.F.	75.19	75.19	75.19
Air at 50 MPH (cfm/ft <sup>2</sup> )	<0.01	<0.01	<0.01
Water (No Penetration) P.S.F.	7.52	7.52	7.52
U-Value (with Low-E and Argon)	0.25-0.29	0.25-0.29	0.23-0.28
SHGC (with Low-E and Argon)	0.14-0.33	0.13-0.32	0.15-0.37
Window Test Size	72" x 72"	60" x 60"	48" x 48"



Our products are tested to the standards of and certified by the American Architectural Manufacturer's Association, the National Fenestration Rating Council and the Window & Door Manufacturers Association.

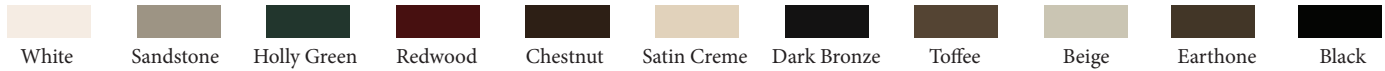


**QUAKER**  
COMMERCIAL WINDOWS AND DOORS

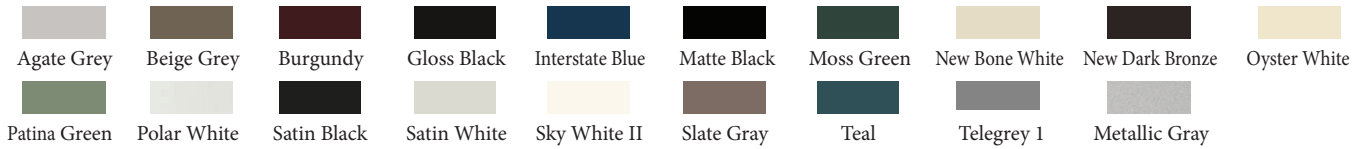
## ARCHITECTURAL PAINT COATINGS AND FINISHES

◇ Baked on powder coat finish meets ANSA/AAMA 2604 specs and is available in unlimited colors

- 11 Popular Colors



- 19 Impressive Colors



- 7 Resemble Colors (painted finish resembling anodized)



- Unlimited Custom Colors

\* Printed colors shown here may not accurately depict actual painted colors. Color samples are available upon request.

◇ ANSA/AAMA 2605 powder coat finishes

◇ AAMA 611-98 Class I clear and tinted anodized finishes

Our products are tested to the standards of and certified by the American Architectural Manufacturer's Association, the National Fenestration Rating Council and the Window & Door Manufacturers Association.



**QUAKER**  
COMMERCIAL WINDOWS AND DOORS



**QUAKER**  
COMMERCIAL WINDOWS AND DOORS

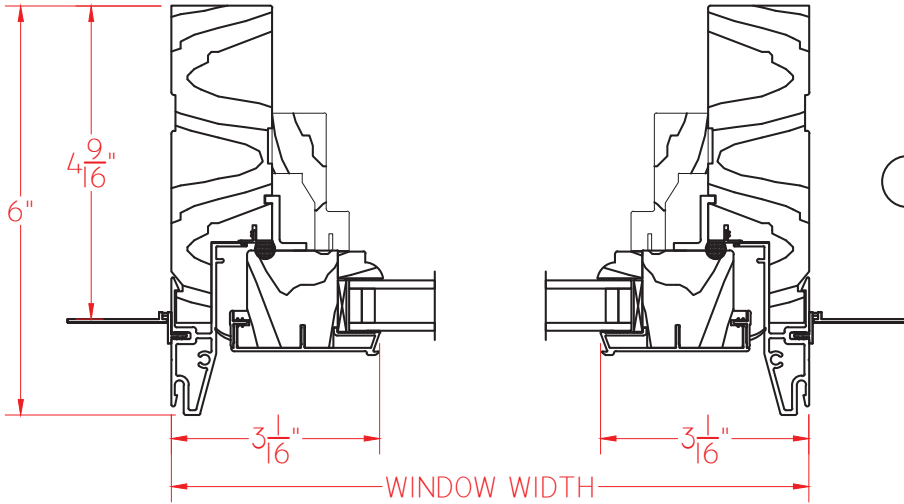


**BRIGHTON**  
SERIES

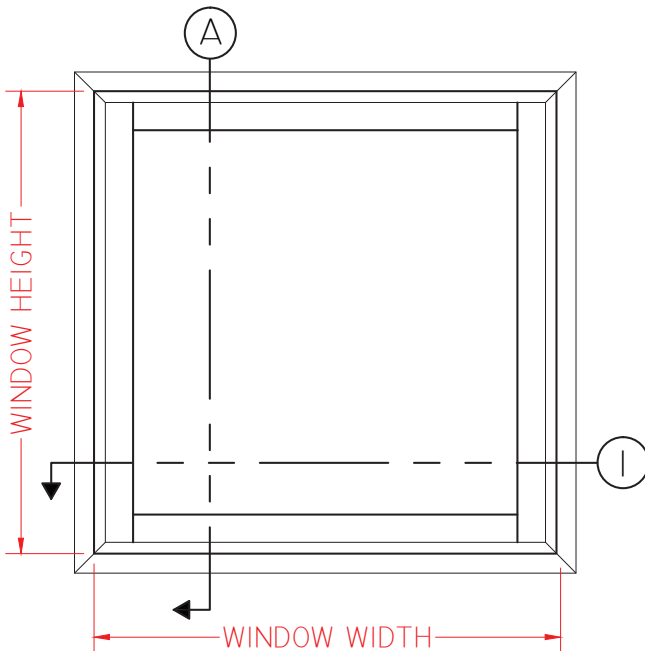
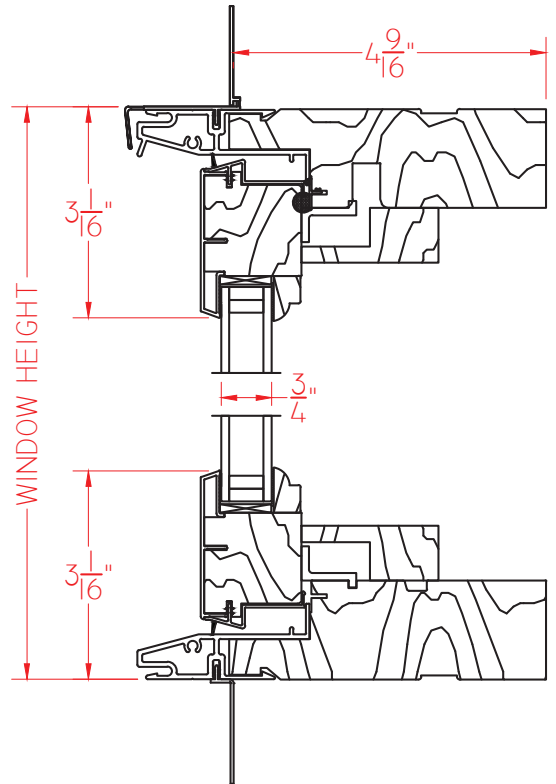
**Brighton Series  
LC-50  
6" Frame Depth  
Picture Window (Fixed)**

**BRIGHTON CAPW**

This document contains confidential and proprietary information intended for the private use of Quaker.  
© 2016 Quaker Window Products Co., INC. All rights reserved.  
Quaker reserves the right to change any/all designs without notice. Due to periodic re-certification requirements, result shown may vary.



Ⓐ VERTICAL CROSS SECTION



ELEVATION SCALE 3/4" = 1'-0"

12-29-2015 VERSION 3.0

SCALE 1:3

Our products are tested to the standards of and certified by the American Architectural Manufacturer's Association, the National Fenestration Rating Council and the Window & Door Manufacturers Association.



**QUAKER**  
COMMERCIAL WINDOWS AND DOORS



**QUAKER**  
COMMERCIAL WINDOWS AND DOORS

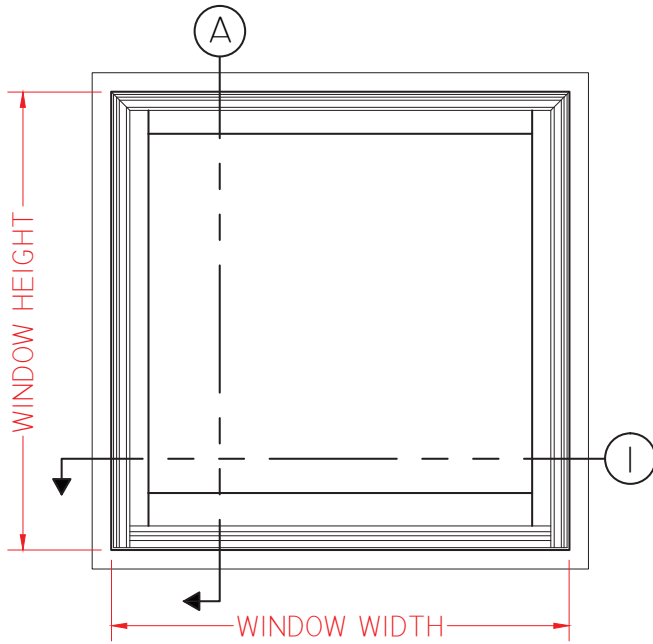
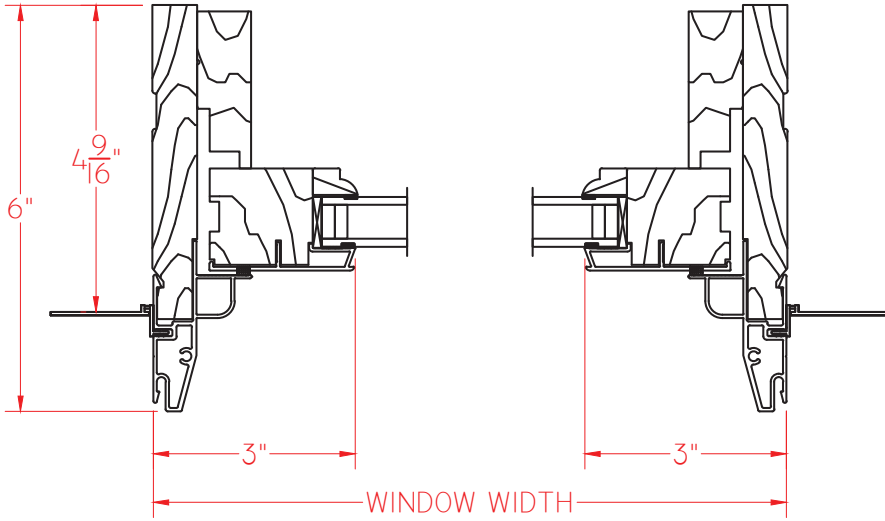


**BRIGHTON**  
SERIES

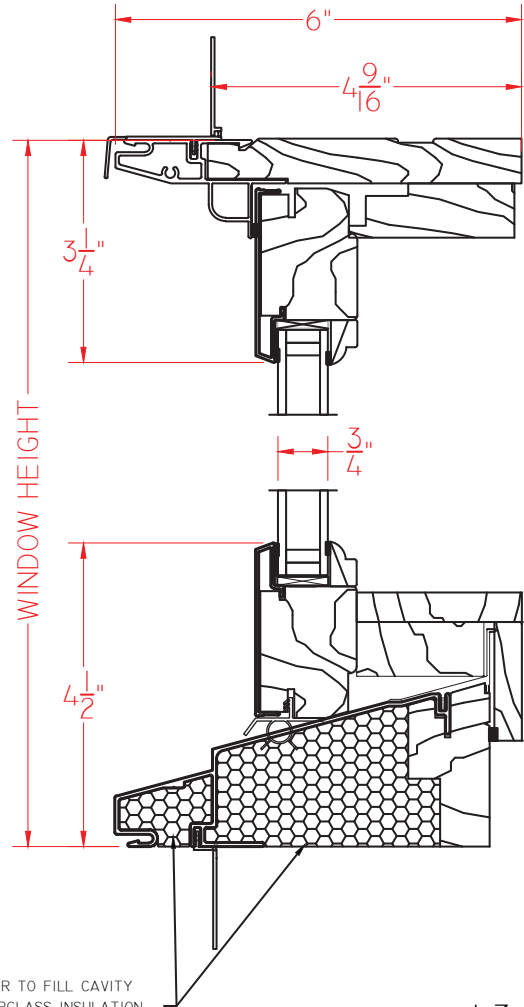
**Brighton Series  
C-50  
6" Frame Depth  
Picture Window (Fixed)**

**BRIGHTON DHPW**

This document contains confidential and proprietary information intended for the private use of Quaker.  
© 2016 Quaker Window Products Co., INC. All rights reserved.  
Quaker reserves the right to change any/all designs without notice. Due to periodic re-certification requirements, result shown may vary.



ELEVATION SCALE 3/4" = 1'-0"



INSTALLER TO FILL CAVITY WITH FIBERGLASS INSULATION BEFORE SETTING WINDOW

SCALE 1:3

12-29-2015 VERSION 3.0

Our products are tested to the standards of and certified by the American Architectural Manufacturer's Association, the National Fenestration Rating Council and the Window & Door Manufacturers Association.



**QUAKER**  
COMMERCIAL WINDOWS AND DOORS



**QUAKER**  
COMMERCIAL WINDOWS AND DOORS

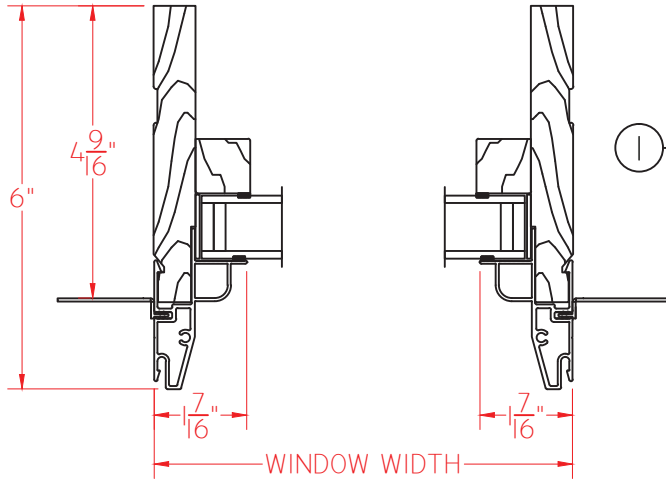


**BRIGHTON**  
SERIES

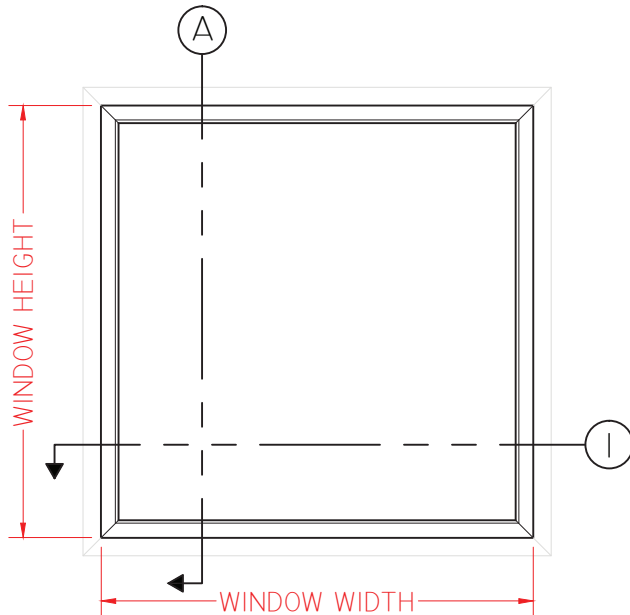
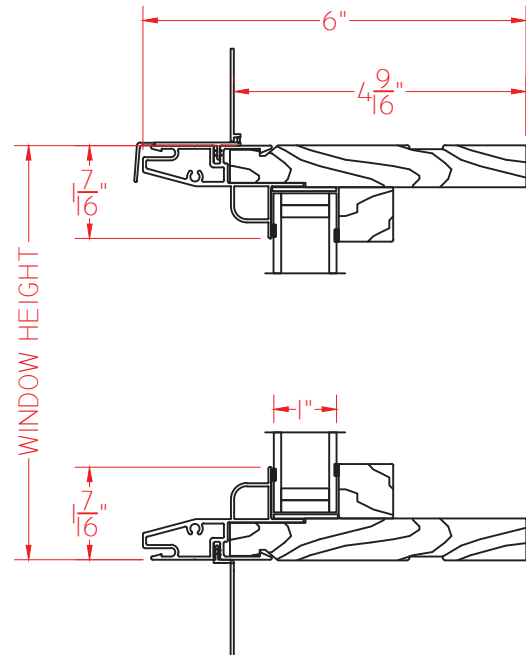
**Brighton Series  
R-50  
6" Frame Depth  
Picture Window (Fixed)**

**BRIGHTON DS**

This document contains confidential and proprietary information intended for the private use of Quaker.  
© 2016 Quaker Window Products Co., INC. All rights reserved.  
Quaker reserves the right to change any/all designs without notice. Due to periodic re-certification requirements, result shown may vary.



Ⓐ VERTICAL CROSS SECTION



BRIGHTON DIRECT SET I2-29-2015 VERSION 3.0

SCALE 1:3

Our products are tested to the standards of and certified by the American Architectural Manufacturer's Association, the National Fenestration Rating Council and the Window & Door Manufacturers Association.



**QUAKER**  
COMMERCIAL WINDOWS AND DOORS